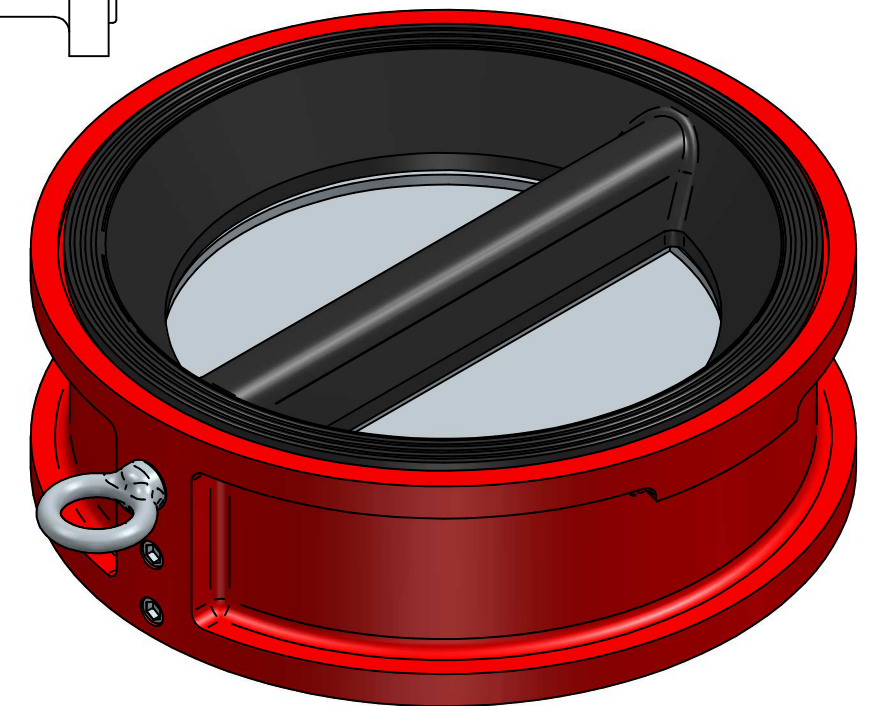
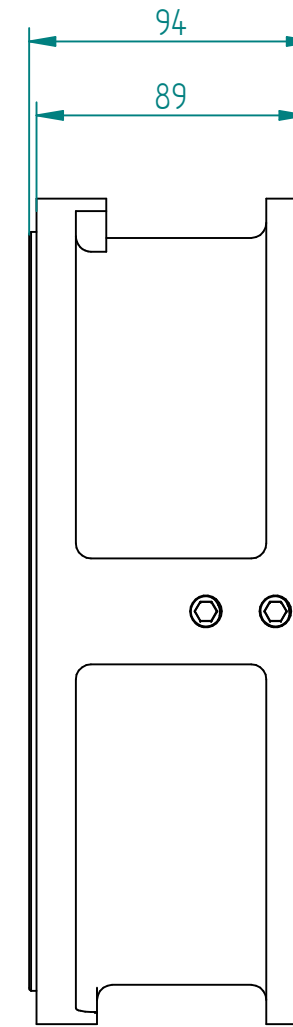
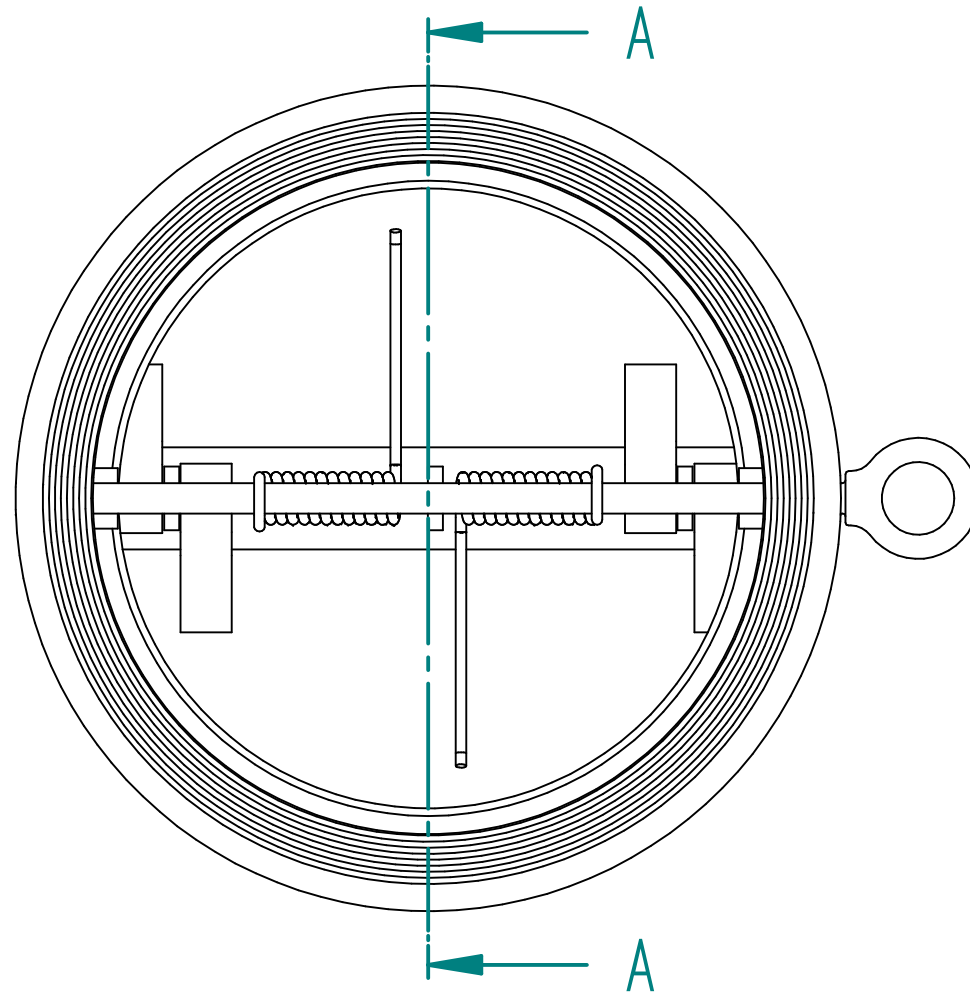


SECTION A-A



TITLE RUBBER COATED DUAL CHECK VALVE DN200,
DI BODY, AL.BR. DISC,
STAINLESS STEEL 316 SHAFT, EPDM

	NAME	DATE	SIZE	DWG NO
DRAWN	MOTO	28.08.2017	A3	QIF-180-021-0200
CHECKED	TOCO	28.08.2017	FILE NAME: QIF-180-021-0200.dft	
ENG APPR	TOCO	28.08.2017	SCALE: 1:2,5	REV:
MGR APPR	TOCO	28.08.2017	WEIGHT:	SHEET:

UNLESS OTHERWISE SPECIFIED
DIMENSIONS ARE IN MILLIMETERS
AND TOLERANCES ARE +/-0,5

REV	DESCRIPTION	DATE	APPROVED
REVISION HISTORY			