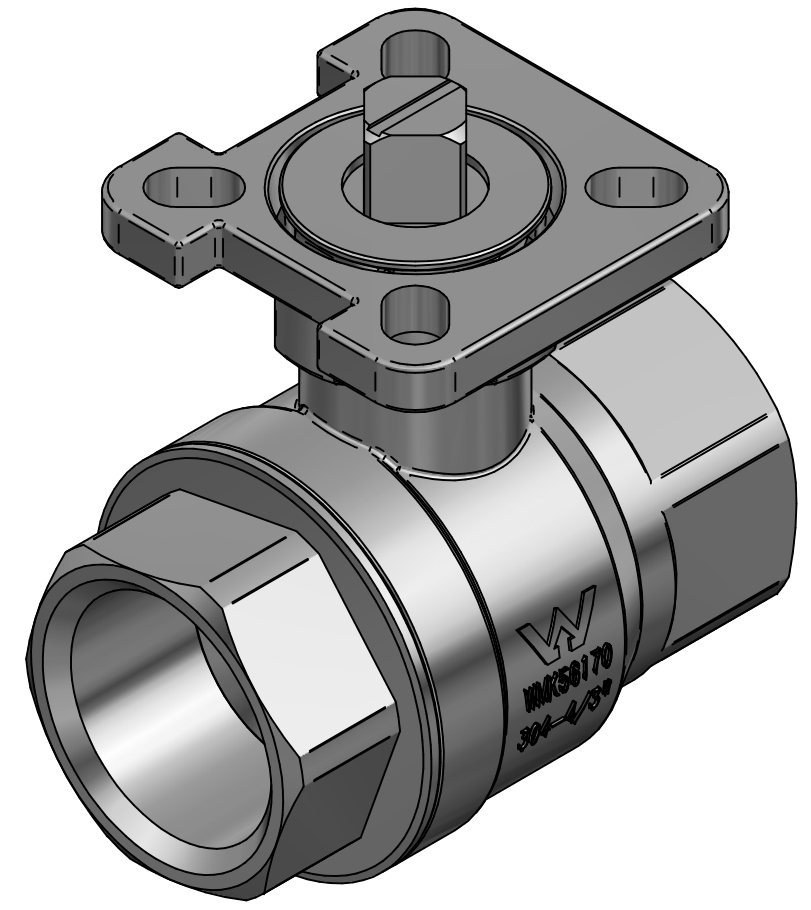
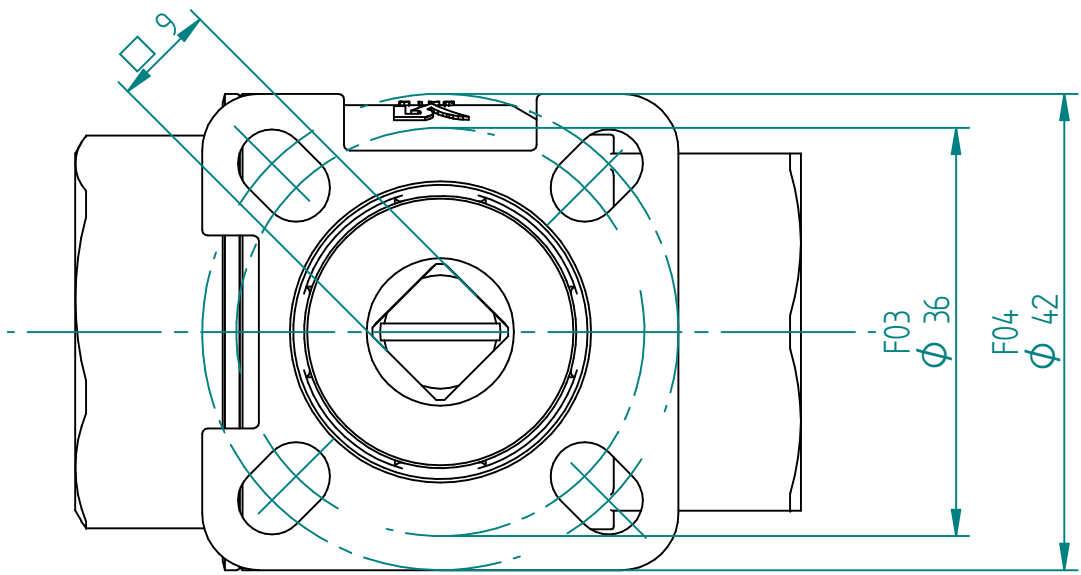


No.	Part Name	Material	Qty
1	Body	CF8M	1
2	Ball Seat	R-PTFE(15%)	2
3	Ball	SS316	1
4	Body Gasket	PTFE	1
5	Cap	CF8M	1
6	Stem	SS316	1
7	Thrust Washer	PTFE	1
8	O-Ring	Viton	1
9	Stem Packing	PTFE	1
10	Packing Ring	SS304	1
11	Nut	SS304	1



TITLE	2PC 3/4" ISO TOP BSP BALL VALVE CLEANED FOR OXYGEN SS316 BODY, STEM, BALL AND SCREWS F03/F04 9mm MOUNTING PAD, FULL BORE, BARE STEM	
	DRAWN	EMLA
	CHECKED	RAGA
	ENG APPR	TOCO
MGR APPR	TOCO	

NAME	DATE	SIZE	DWG NO
EMLA	7/25/2025	A3	QIF-000-OX1-0020B
RAGA	7/25/2025		FILE NAME: QIF-100-OX1-0020B.dft
TOCO	dd.mm.yyyy	SCALE: 1.5:1	REV: 00
TOCO	dd.mm.yyyy	WEIGHT: 0.51kg	SHEET: 1 OF 1

UNLESS OTHERWISE SPECIFIED DIMENSIONS ARE IN MILLIMETERS AND TOLERANCES ARE +/-0,5

REV	DESCRIPTION	DATE	APPROVED
00	ISSUED	23.04.2023	JOB
REVISION HISTORY			