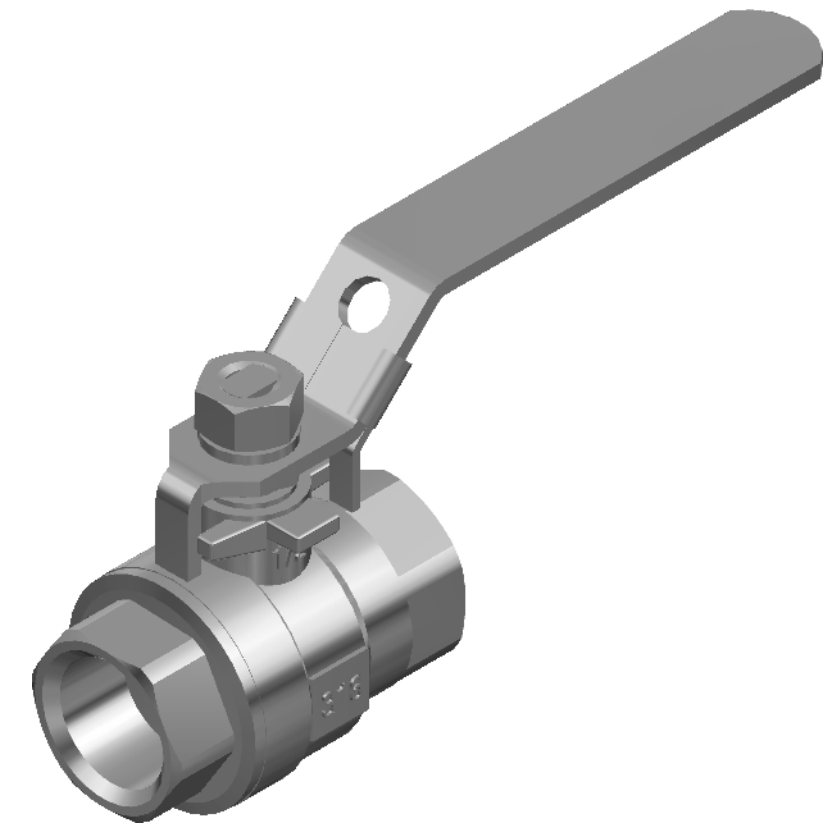
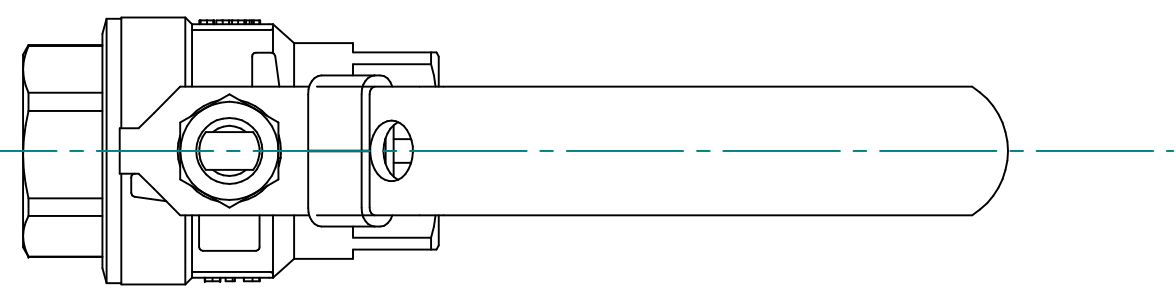
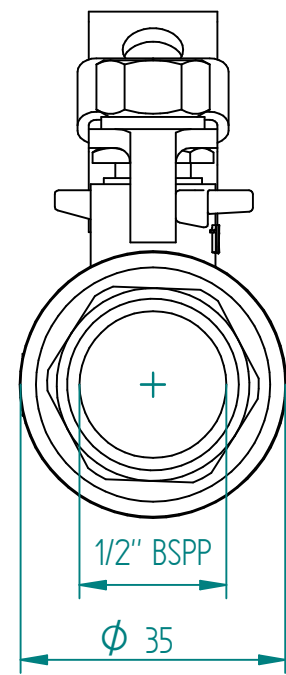
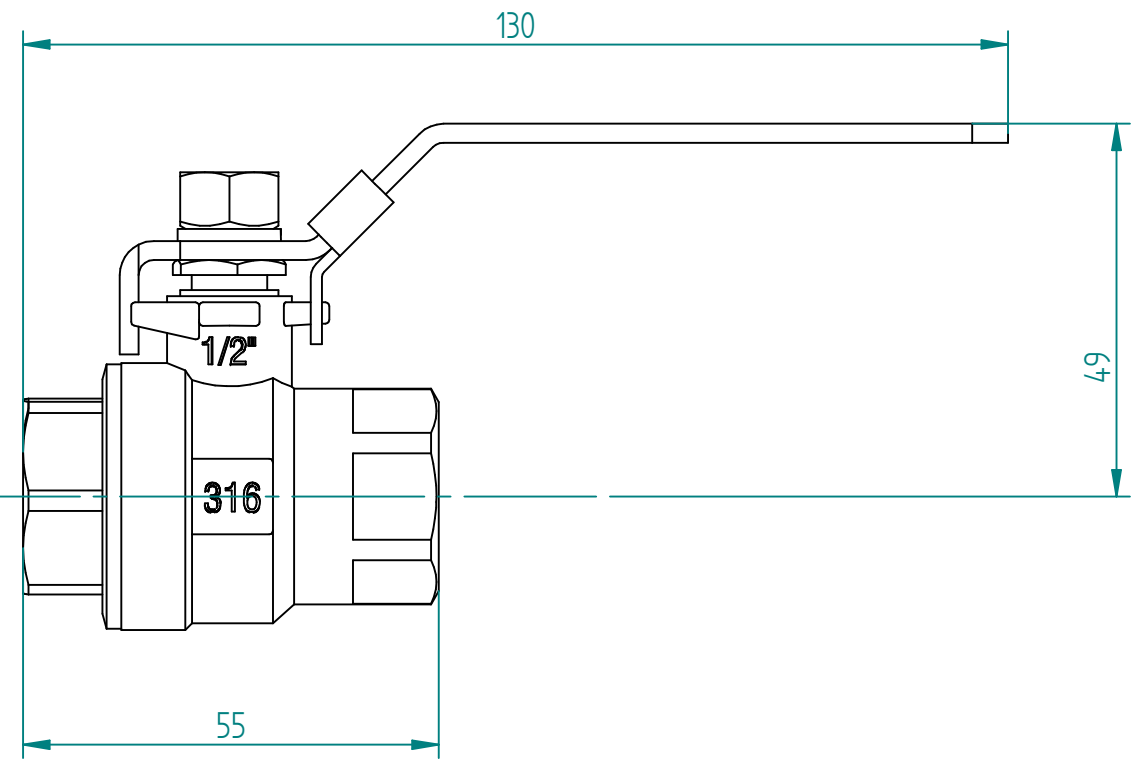


Pos	Part name	Material
1	Body	A351-CF8M
2	Seat	PTFE
3	Ball	316
4	Cover gasket	PTFE
5	Cover	A351-CF8M
6	Stem	316
7	Thrust washer	PTFE
8	Packing	PTFE
9	Packing gland	316
10	Handle	316
11	Nut stopper	316
12	Nut	316
13	Lock device	316
14	Handle cover	Plastic



TITLE 2PC BALL VALVE 1/2" BSP THREADED 1200PSI F-BORE, SS316/SS316/PTFE, V-PACKING W/ LOCKABLE HANDLE-5NM		NAME	DATE	SIZE	DWG NO
	DRAWN	SYHU	5/16/2025	A3	QIF-100-001-0015C
	CHECKED	TOCO	dd.mm.yyyy	FILE NAME: QIF-100-001-0015C.dft	
	ENG APPR	TOCO	dd.mm.yyyy	SCALE: 1:1	REV: 00
	MGR APPR	TOCO	dd.mm.yyyy	WEIGHT: 0.24 kg	SHEET: 1 OF 1

UNLESS OTHERWISE SPECIFIED
 DIMENSIONS ARE IN MILLIMETERS
 AND TOLERANCES ARE +/-0,5

REV	DESCRIPTION	DATE	APPROVED
00	ISSUE	16.05.25	SYHU
REVISION HISTORY			