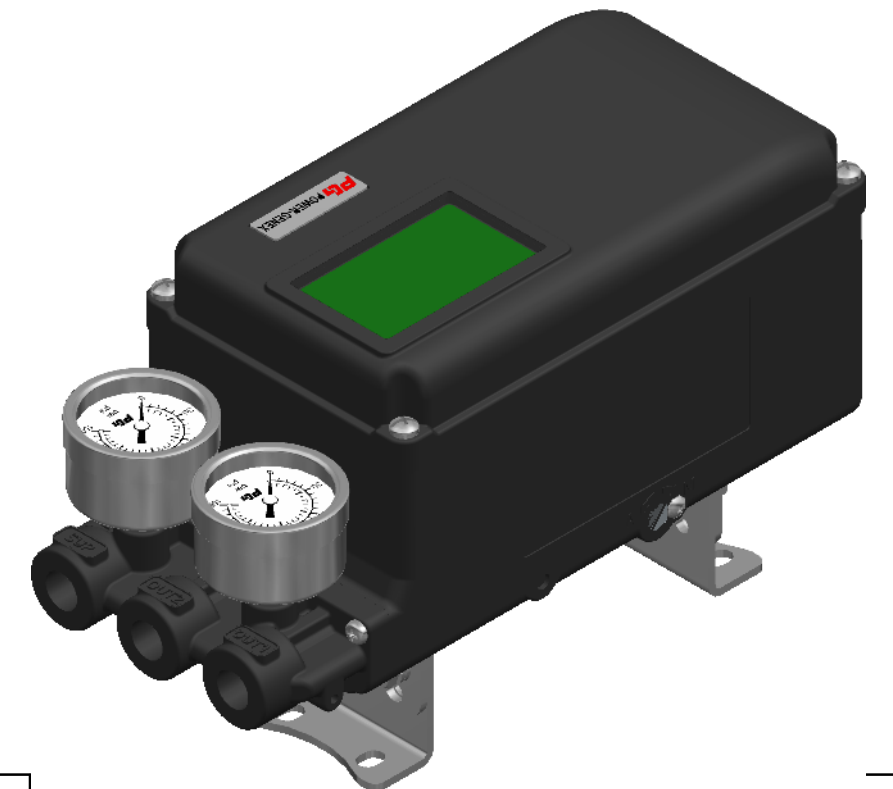
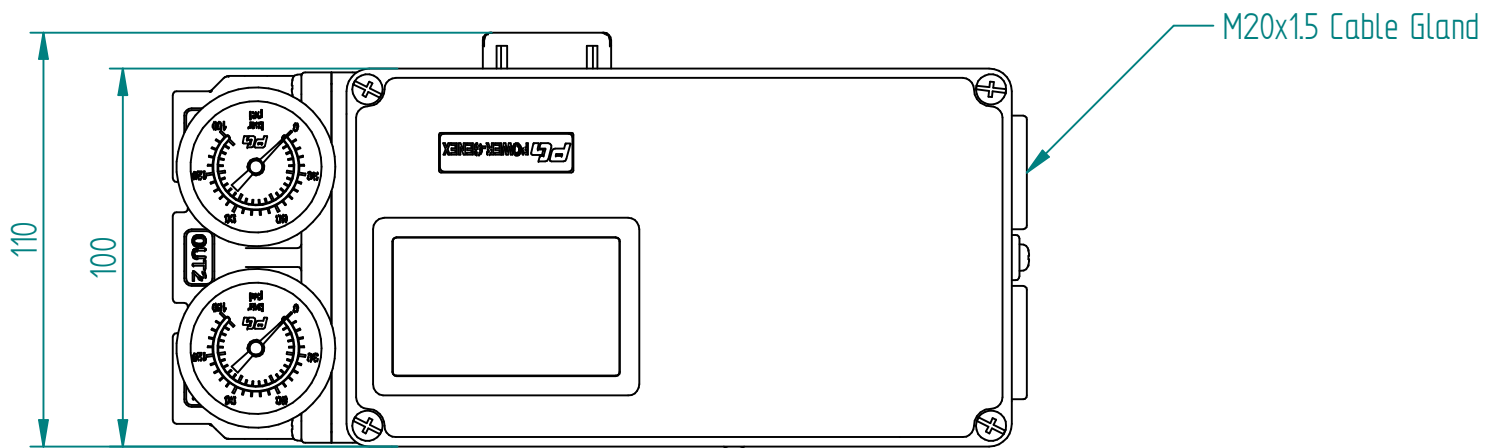
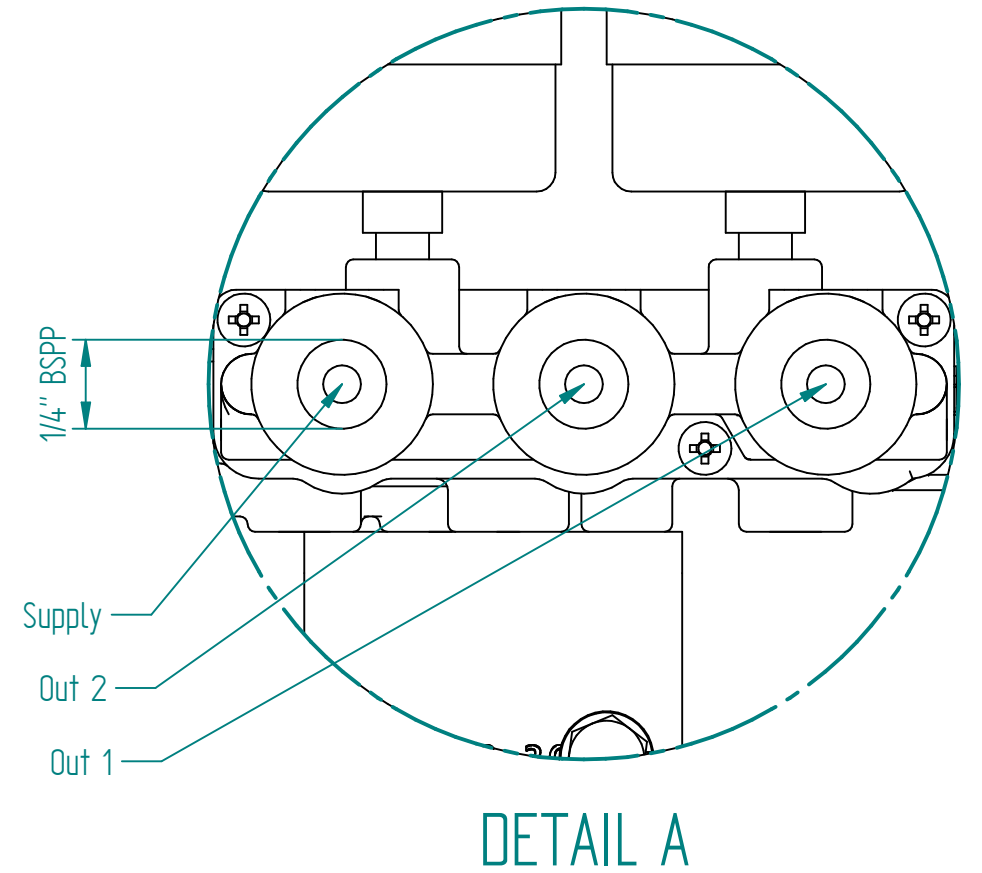
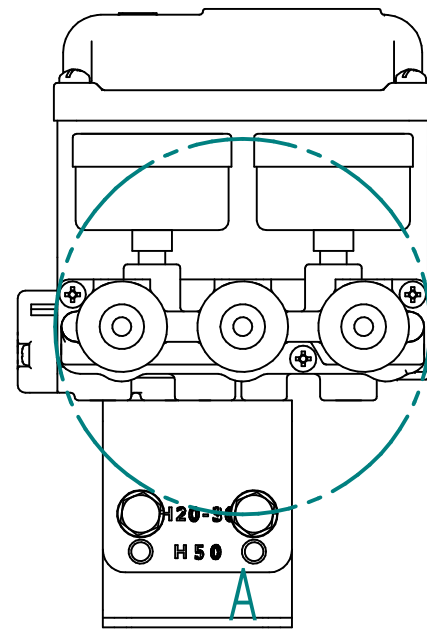

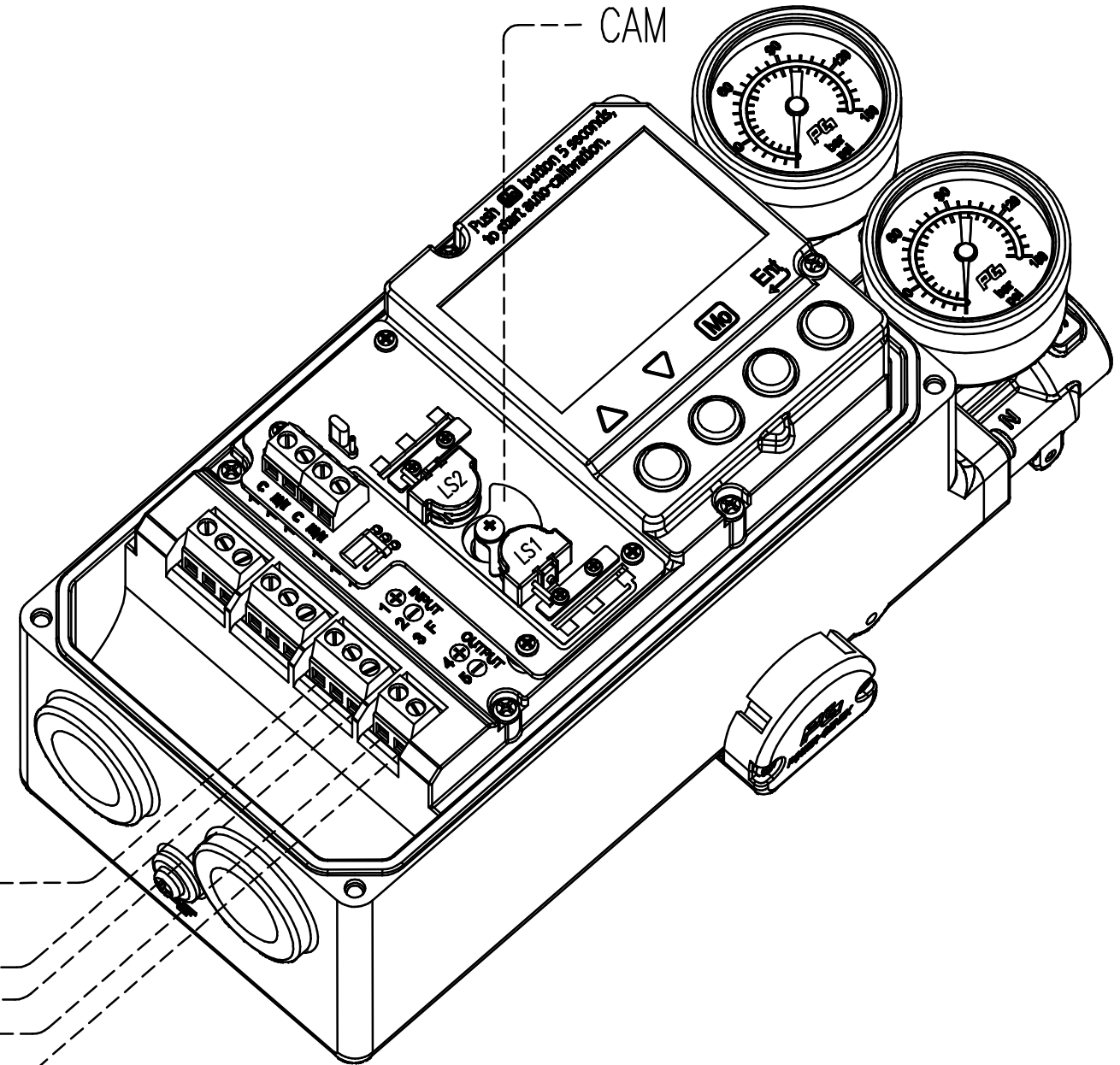
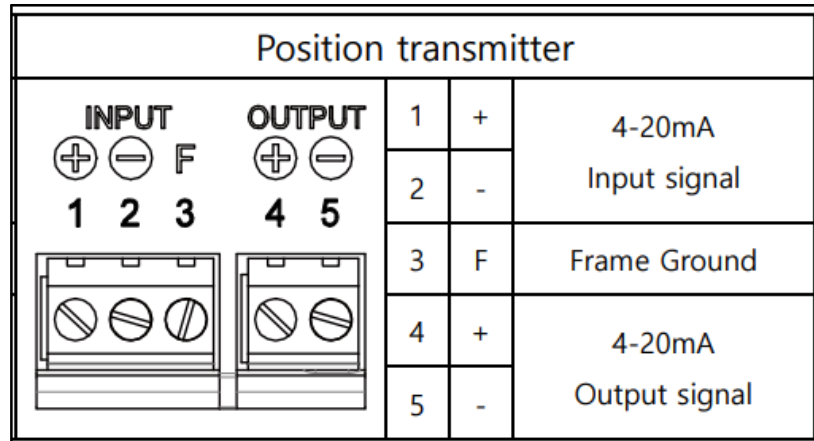


Adjustable Bracket:
 30 x 80
 30 x 130
 H20-30 or H50



	NAME	RAGA	DATE	02.06.2026	SIZE	A3	DWG NO	PGXASD5010WN2NONN7RF	UNLESS OTHERWISE SPECIFIED DIMENSIONS ARE IN MILLIMETERS AND TOLERANCES ARE +/-0,5
	DRAWN	RAGA	DATE	dd.mm.yyyy	FILE NAME:	PGXASD5010WN2NONN7RF.dft			
	CHECKED	TOCO	DATE	dd.mm.yyyy	SCALE:	1:2	REV:	00	
	ENG APPR	TOCO	DATE	dd.mm.yyyy	WEIGHT:	2.5 kg	SHEET:	1 OF 2	
TITLE	GA-Drawing and Parts List								
MGR APPR	TOCO	DATE	dd.mm.yyyy						

REV	DESCRIPTION	DATE	APPROVED
00	First issue	24.04.2026	RAGA
REVISION HISTORY			



- ① IIN. 4-20mA INPUT SIGNAL
- ② GROUND
- ④ OUT. 4-20mA OUTPUT SIGNAL
- ⑤



TITLE Electrical Connection	DRAWN	RAGA	02.06.2026	SIZE A3	DWG NO PGXASD5010WN2NONN7RF
	CHECKED	TOCO	dd.mm.yyyy	FILE NAME: PGXASD5010WN2NONN7RF.dft	
	ENG APPR	TOCO	dd.mm.yyyy	SCALE: 1:1	REV: 00
	MGR APPR	TOCO	dd.mm.yyyy	WEIGHT: 2.5 kg	SHEET: 2 OF 2

UNLESS OTHERWISE SPECIFIED DIMENSIONS ARE IN MILLIMETERS AND TOLERANCES ARE +/-0,5

REV	DESCRIPTION	DATE	APPROVED
00	First issue	24.04.2026	RAGA
REVISION HISTORY			