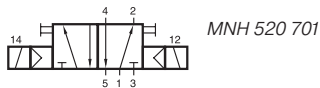


MNH 520 701

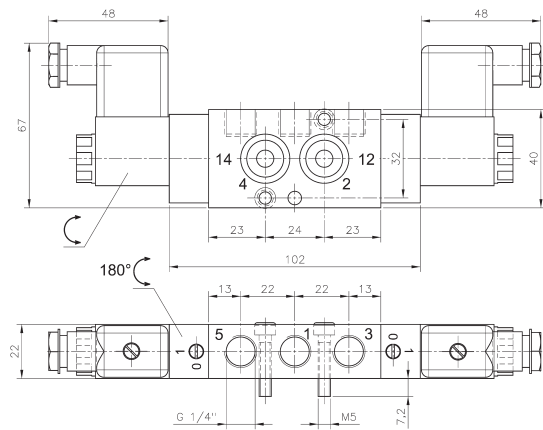


5/2-way solenoid valve actuated by impulse. Position is kept until next electrical signal even when not attached to electrical source. Interface according to NAMUR-standard.

MNH generally with manual override to turn with solenoid operators 230V/50Hz, 110V/50Hz, 24V/50Hz, 48V=, 24V~, 12V=.

MNK with manual override to push with solenoid operators 24V=, 12V=, 6V=.

Delivery includes 1 pin, 2 screws, 2 O-rings.



MNH 520 701

Type	NAMUR	Port size	Air flow	Operating press.	Power consumption	Weight
MNH 520 701	1/4"	G 1/4"	1250 l/min	2 - 10 bar	3 W = / 5 VA ~	0,35 kg



MA 22

22 mm wide coils for solenoid valves of the MH-series, type MH, MOH, MEH, MEOH, MNH and MNOH.

Type MA 22

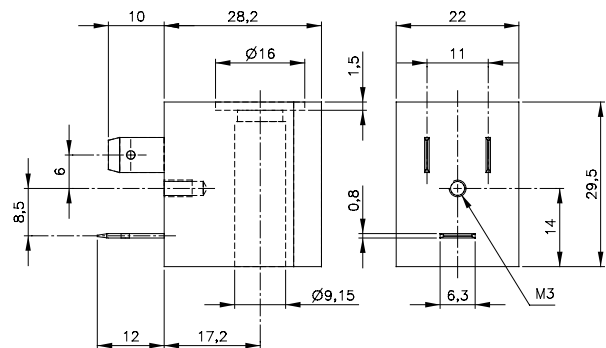
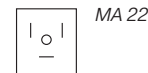
Housing made from heat resistant thermoplastic polyester material 30 % glass filled.

Interface industry form B (DIN / ISO 436 50).

Isolation class F. Wire class H.

Equipped with appropriate connector, solenoid offers IP 65.

AC-coils can be operated at 50 Hz and 60 Hz.



MA 22

Type	Voltage	Tolerance	Ampere	Power cons.	Connection	Weight
MA 22 24DC X CE	24 V=	±10 %	120 mA	3 W	Industry form B	0,05 kg



ST 222 V __

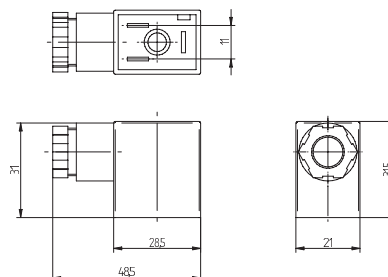
Connectors for coils type MA 22.

Type ST 222 V __

Connector with LED and varistor.

Using the enclosed flat seal, fastening screw and nut appropriately the system reaches protection class IP 65 in accordance to IEC 60 529.

Other connectors are available on request.



ST 22/ST 222 V __

Type	LED	VAR	Operat. voltage	Max. current	Cable diameter	Cable length [mm]	Cable material	Connection	Weight
ST 22 2 V 24	red	yes	24 V ±10 %	10 A	6 - 8 mm			Industry form B - M16x1.5	0,025 kg