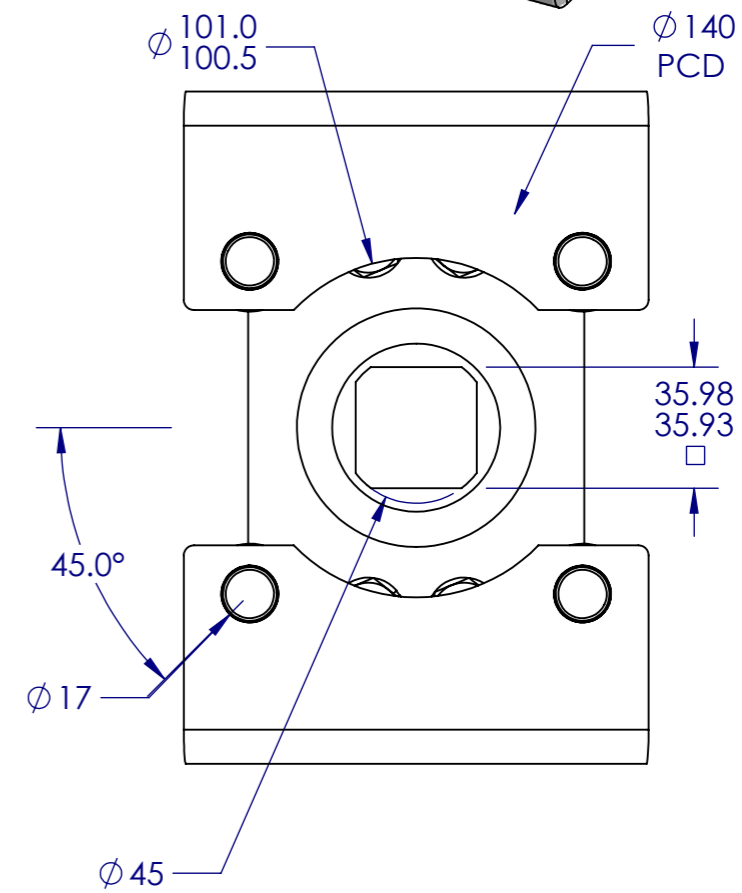
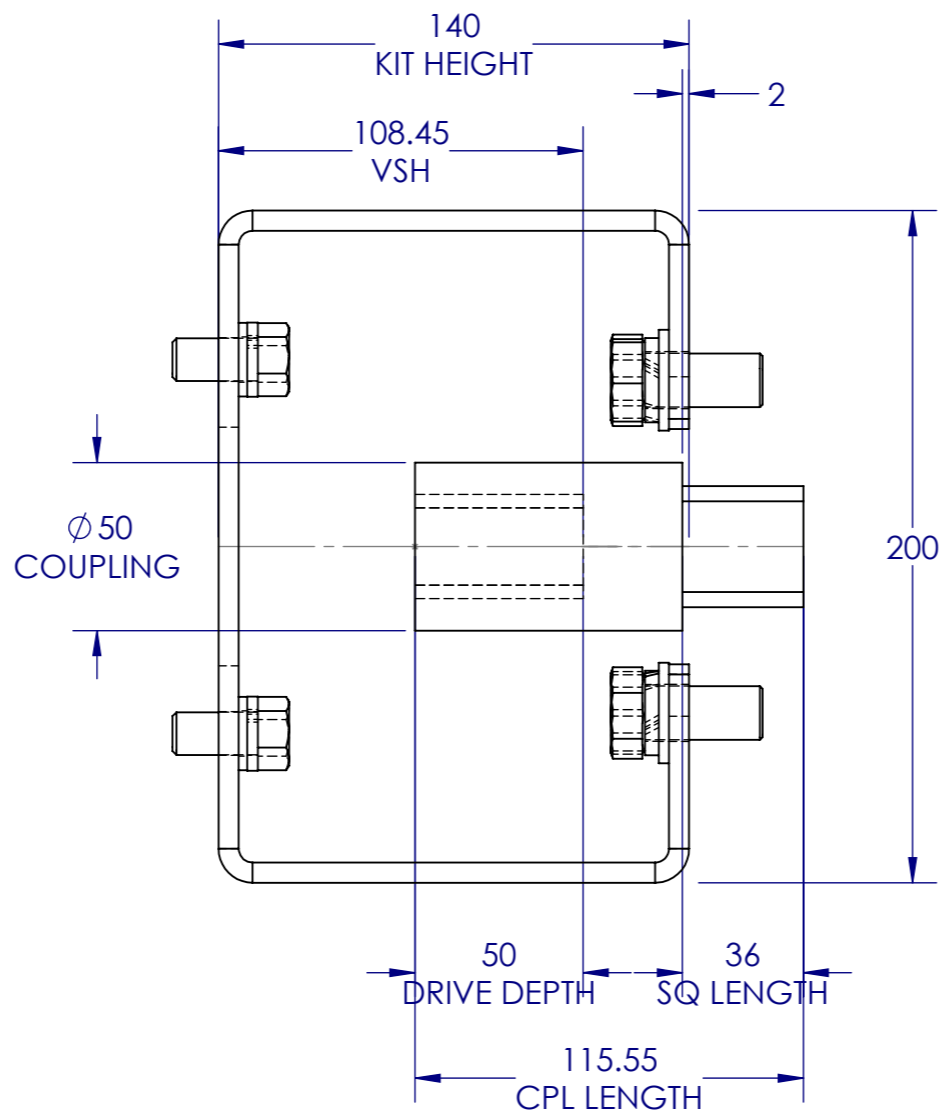
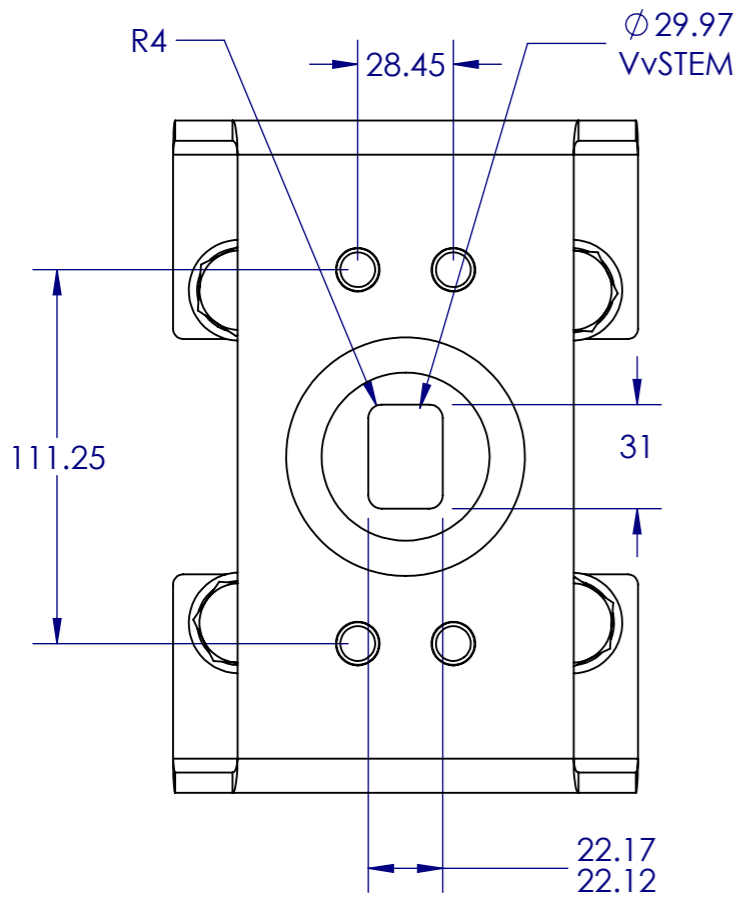
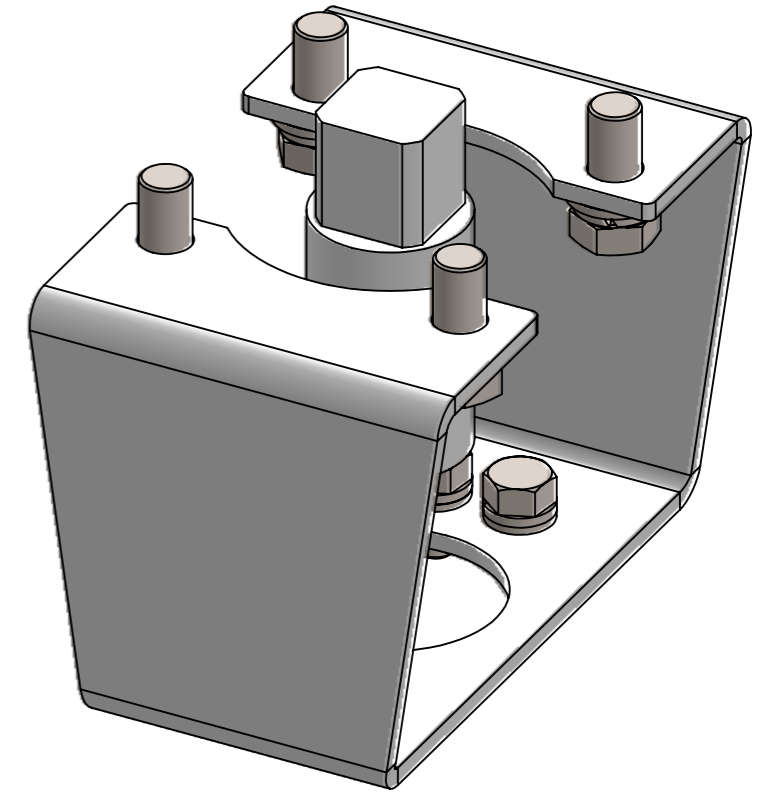
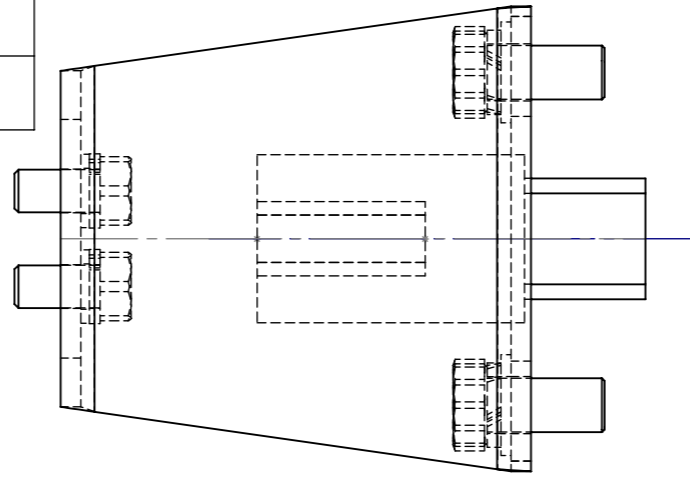


PART NUMBER	MATERIAL	QTY.
COUPLING	MILD STEEL	1
1/2"UNCx1" HEX + WASHERS	A4	4
111.252x28.448-F14-140HI	MILD STEEL	1
M16 x 35 HEX SETSCREW + WASHERS	A4	4



		INCH	METRIC
SHAFTS	+	000	00
	-	010	25
HOLES	+	010	25
	-	000	010
ANGULAR	±		30'
MALE DRIVES	+	0008	02
	-	0027	07
FEMALE DRIVES	+	0027	07
	-	0008	02

MATERIAL: MS  
 FINISH: PC BLACK  
 Vv DWG No - N/A



UNIT 3  
 DRAKEHOUSE COURT  
 HAMILTON ROAD  
 SUTTON IN ASHFIELD  
 NOTTINGHAMSHIRE NG17 5LD

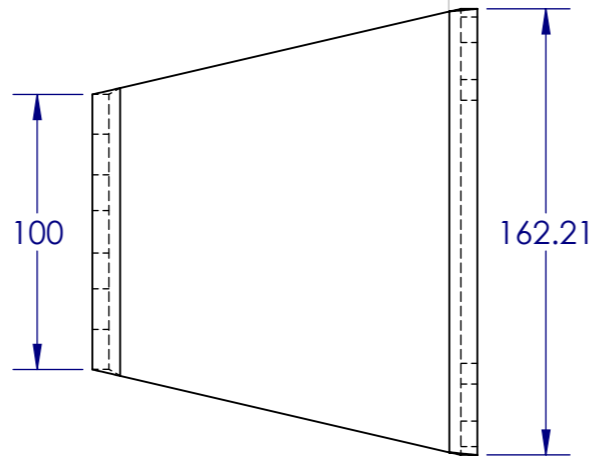
THIS DOCUMENT IS THE PROPERTY OF THE QUICKKITS GROUP. NEITHER THIS OR ANY OF ITS CONTENTS MAY BE USED IN ANY WAY DETRIMENTAL TO THE INTEREST OF THE QUICKKITS GROUP

UNLESS OTHERWISE SPECIFIED:  
 DIMENSIONS ARE IN MILLIMETERS  
 SURFACE FINISH:  
 TOLERANCES:  
 LINEAR:  
 ANGULAR:  
 DEBUR AND BREAK ALL SHARP EDGES  
 DRAWN AR 13/05/2026  
 CHK'D PD 13/05/2026  
 V.S.H. = 108.45  
 A.S.H. = -  
 ACT RECESS = -

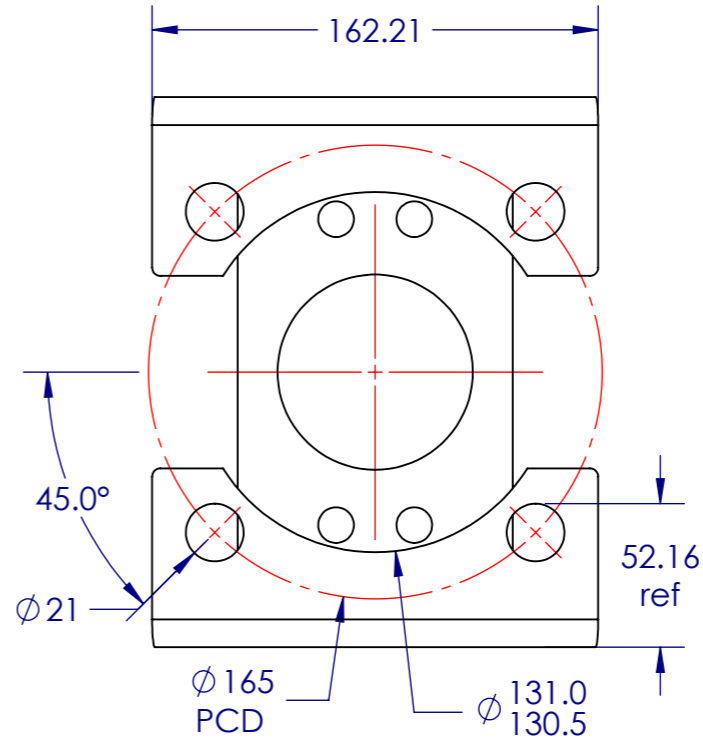
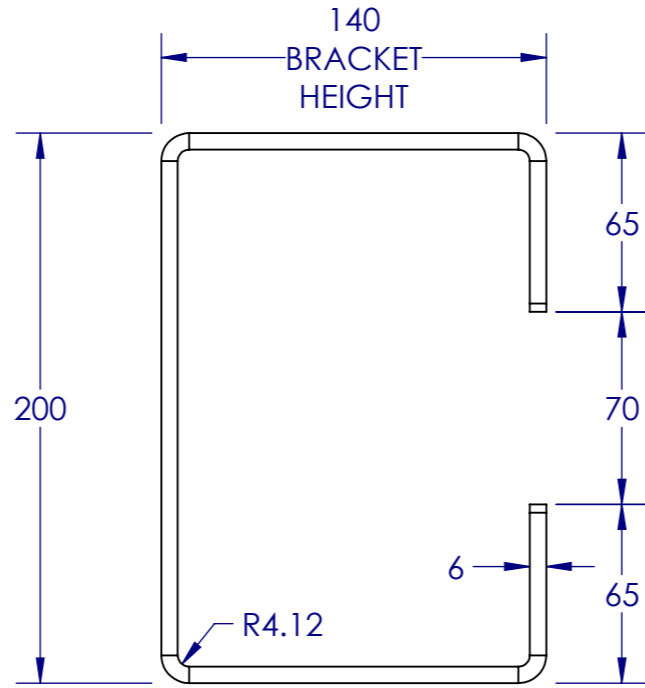
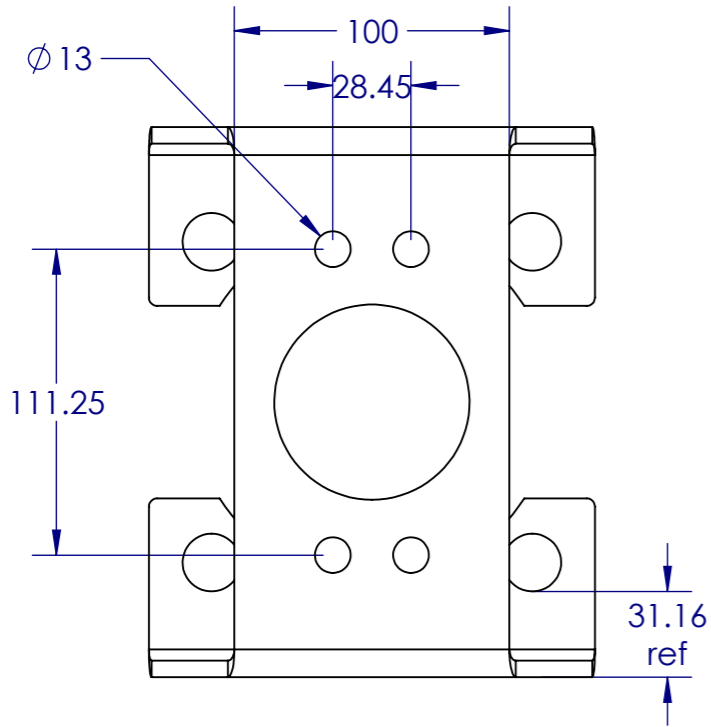
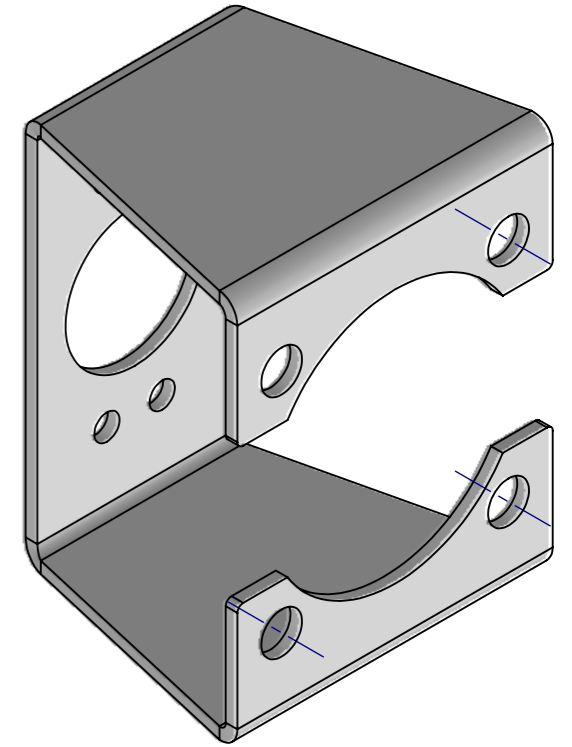
DO NOT SCALE DRAWING		REVISION STATUS
ITEM No - 2		A
CUSTOMER	J.S. COCK	
QUANTITY	1	
PROJECT		QK No- 123345
REM270-4110 10IN BRAY S41-MK-140HI-F14 36SQ 2MM FLOAT		A3

PART NUMBER	MATERIAL	QTY PER KIT.
111.252x28.448-F16-100HI	MILD STEEL	1

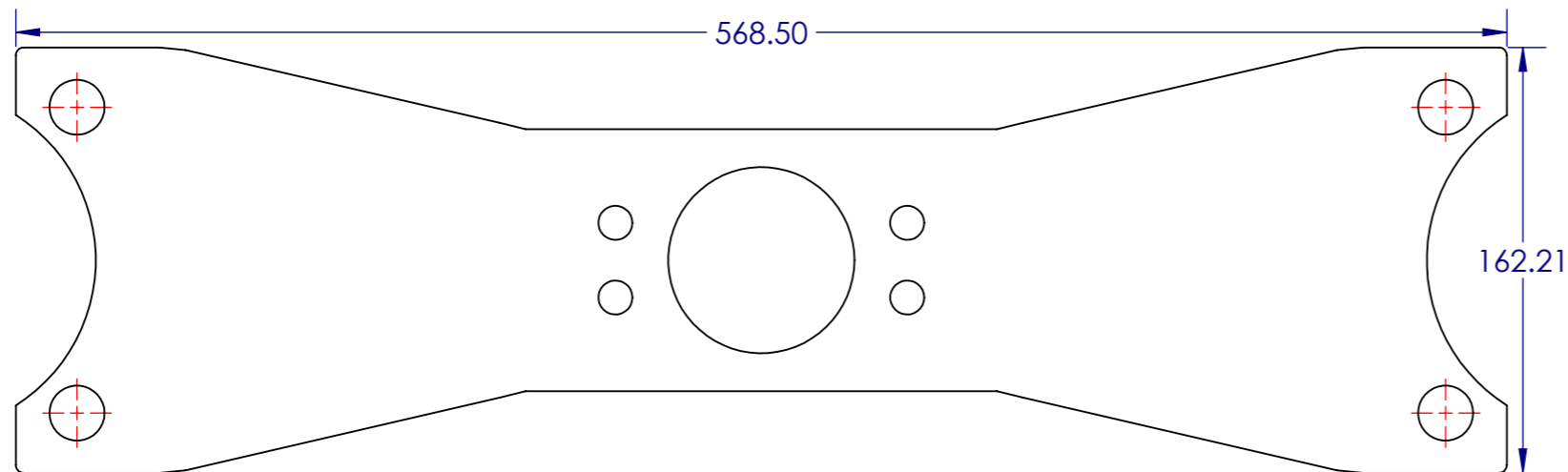
DIE WIDTH = 30  
 BEND RADIUS = 4.12  
 K-FACTOR = 0.36  
 THICKNESS = 6 mm



111.252x28.448-F16-100HI



21-5-26-QK123345-111.252x28.448-F16-100HI- 6 mm MILD STEEL-QTY 1off



		INCH	METRIC
SHAFTS	+	000	00
	-	010	25
HOLES	+	010	25
	-	000	010
ANGULAR	±	30'	
MALE DRIVES	+	0008	02
	-	0027	07
FEMALE DRIVES	+	0027	07
	-	0008	02

MATERIAL: MS  
 FINISH: PC BLACK  
 VV DWG No - N/A



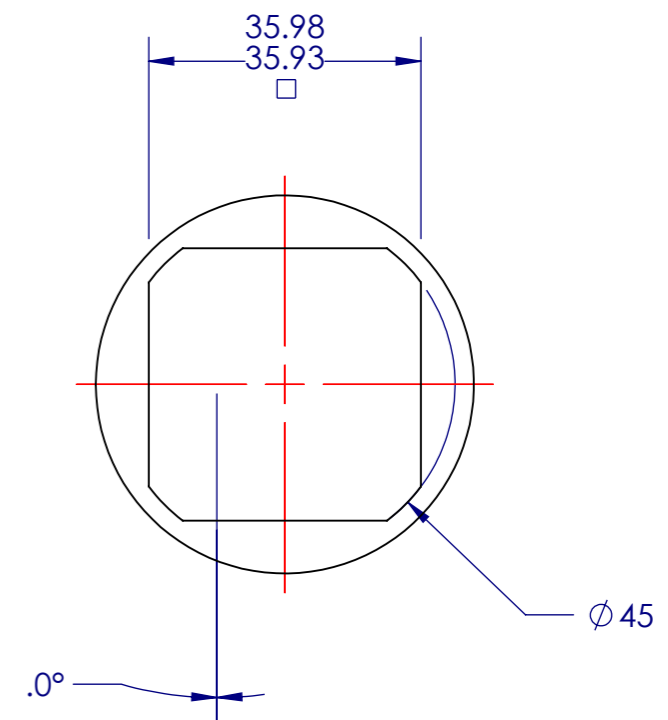
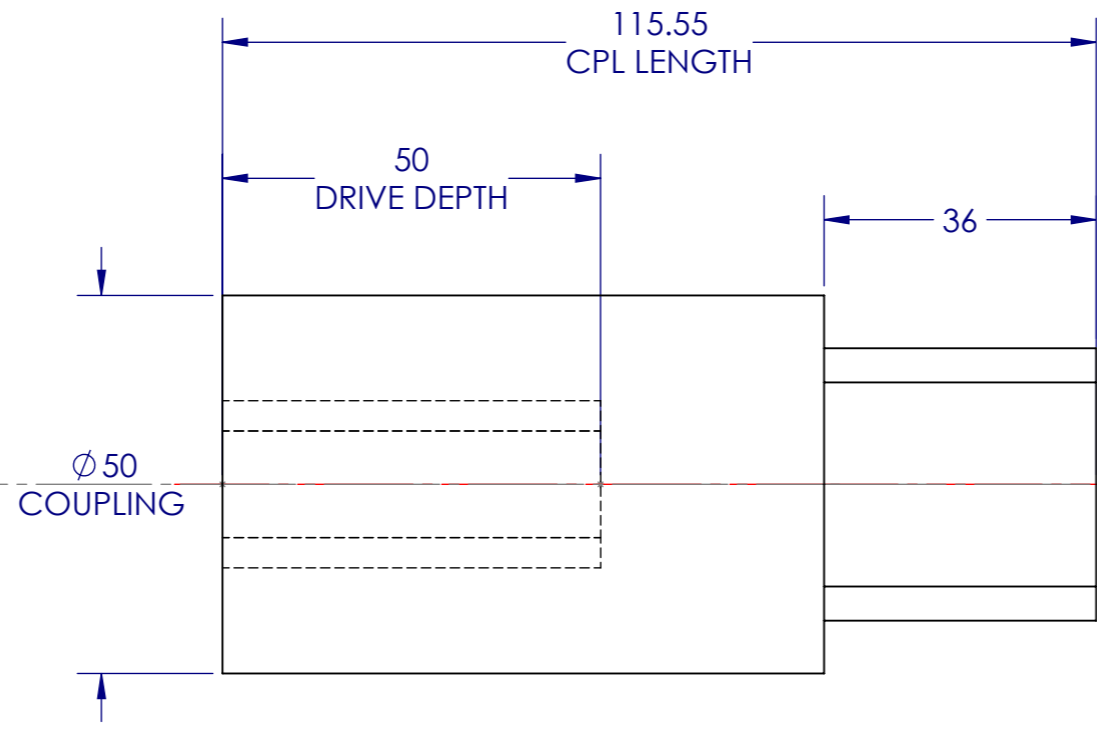
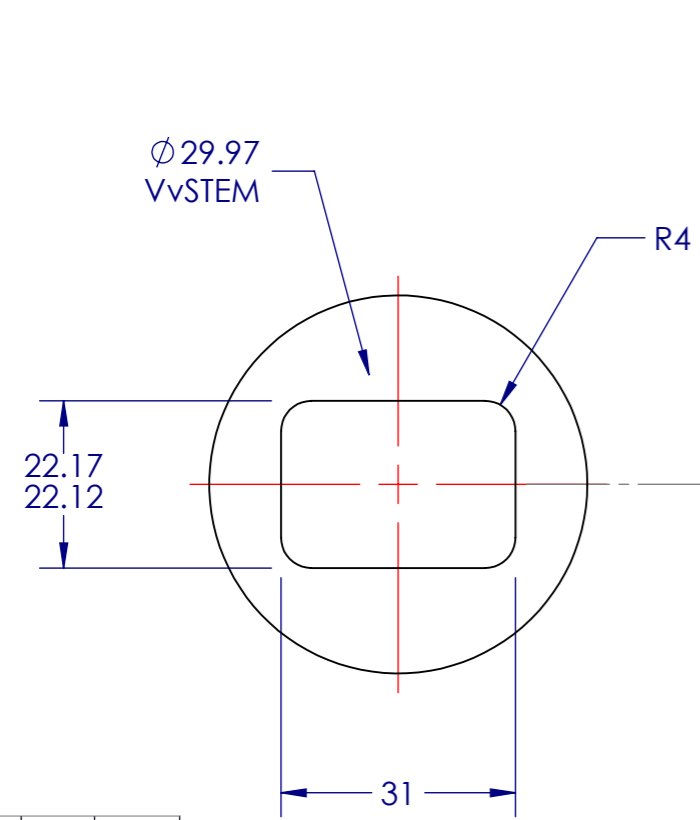
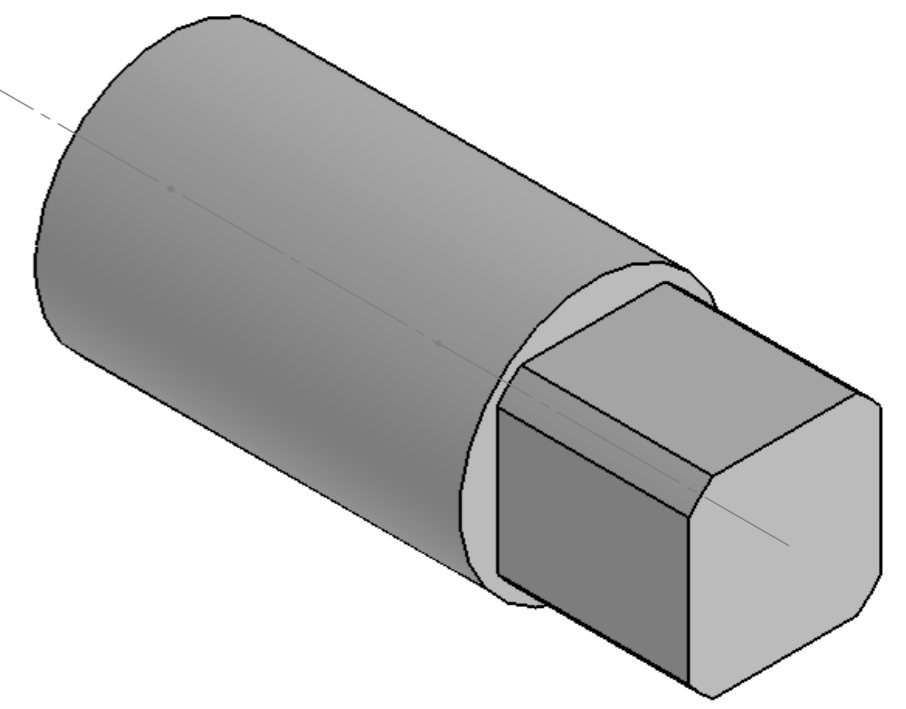
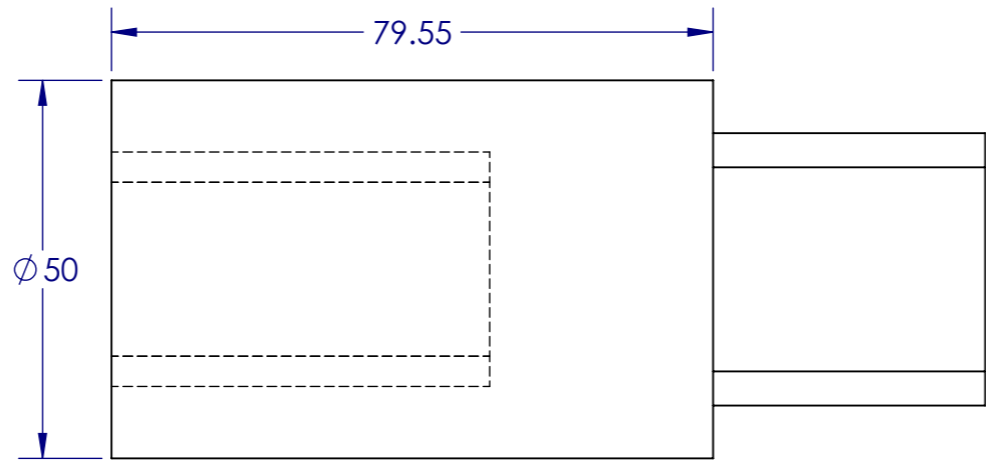
UNIT 3  
 DRAKEHOUSE COURT  
 HAMILTON ROAD  
 SUTTON IN ASHFIELD  
 NOTTINGHAMSHIRE NG17 5LD

THIS DOCUMENT IS THE PROPERTY OF THE QUICKITS GROUP. NEITHER THIS OR ANY OF ITS CONTENTS MAY BE USED IN ANY WAY DETRIMENTAL TO THE INTEREST OF THE QUICKITS GROUP

UNLESS OTHERWISE SPECIFIED:  
 DIMENSIONS ARE IN MILLIMETERS  
 SURFACE FINISH:  
 TOLERANCES:  
 LINEAR:  
 ANGULAR:  
 DEBUR AND BREAK ALL SHARP EDGES  
 DRAWN AR 13/05/2026  
 CHK'D PD 13/05/2026  
 V.S.H. = 108.45  
 A.S.H. = -  
 ACT RECESS = -

DO NOT SCALE DRAWING		REVISION STATUS
ITEM No - 2		A
CUSTOMER	J.S. COCK	
QUANTITY	1	
PROJECT		QK No- 123345
REM270-4110 10IN BRAY S41-MK-140HI-F14 36SQ 2MM FLOAT		A3

1	2	3
PART NUMBER	MATERIAL	QTY PER KIT.
COUPLING	MILD STEEL	1



		INCH	METRIC
SHAFTS	+	000	00
	-	010	25
HOLES	+	010	25
	-	000	010
ANGULAR	±	30'	
MALE DRIVES	+	0008	02
	-	0027	07
FEMALE DRIVES	+	0027	07
	-	0008	02

MATERIAL: MS  
 FINISH: PC BLACK  
 Vv DWG No - N/A

**QK**  
 quickkits  
 UNIT 3  
 DRAKEHOUSE COURT  
 HAMILTON ROAD  
 SUTTON IN ASHFIELD  
 NOTTINGHAMSHIRE NG17 5LD  
 THIS DOCUMENT IS THE PROPERTY OF THE QUICKITS GROUP. NEITHER THIS OR ANY OF ITS CONTENTS MAY BE USED IN ANY WAY DETRIMENTAL TO THE INTEREST OF THE QUICKITS GROUP

UNLESS OTHERWISE SPECIFIED:  
 DIMENSIONS ARE IN MILLIMETERS  
 SURFACE FINISH:  
 TOLERANCES:  
 LINEAR:  
 ANGULAR:  
 DEBUR AND BREAK ALL SHARP EDGES  
 DRAWN AR 13/05/2026  
 CHK'D PD 13/05/2026  
 V.S.H. = 108.45  
 A.S.H. = -  
 ACT RECESS = -

DO NOT SCALE DRAWING  
 ITEM No - 2  
 CUSTOMER J.S. COCK  
 QUANTITY 1  
 QK No- 123345  
 PROJECT REM270-4110 10IN BRAY S41-MK-140HI-F14 36SQ 2MM FLOAT  
 REVISION STATUS A  
 SCALE:1:1  
 SHEET 3 OF 3