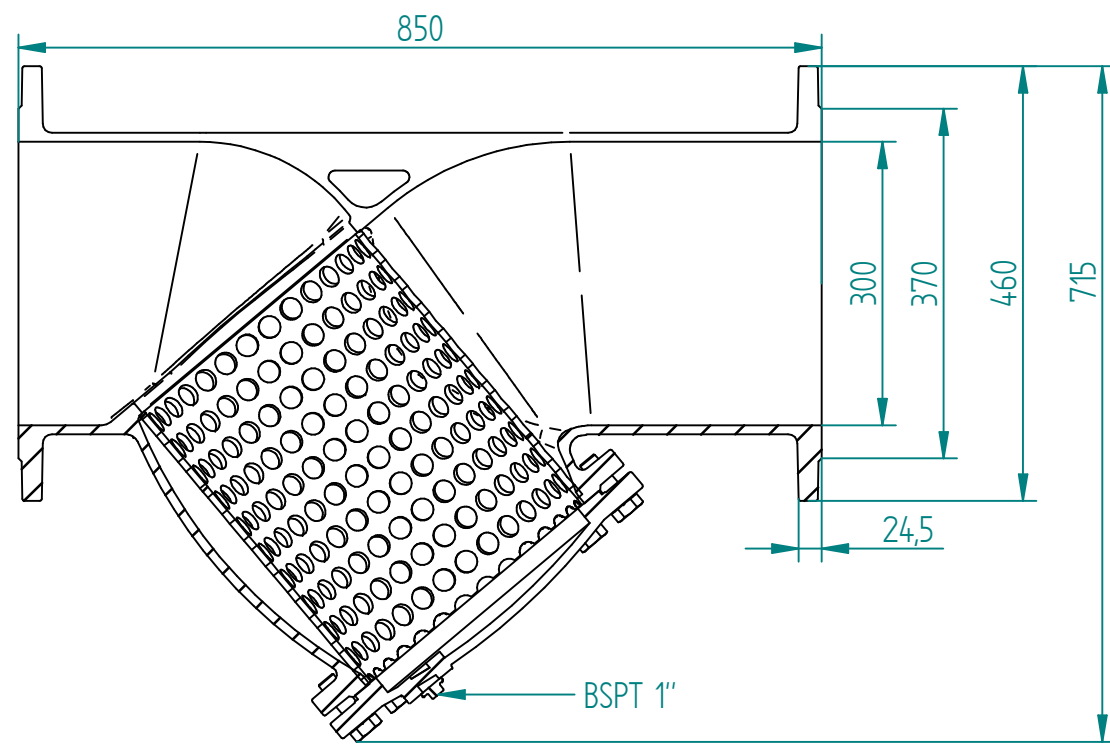
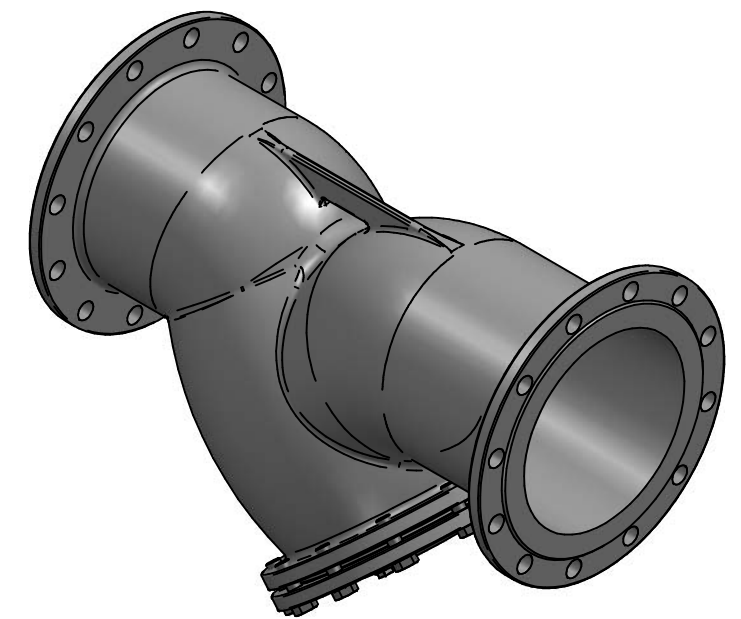
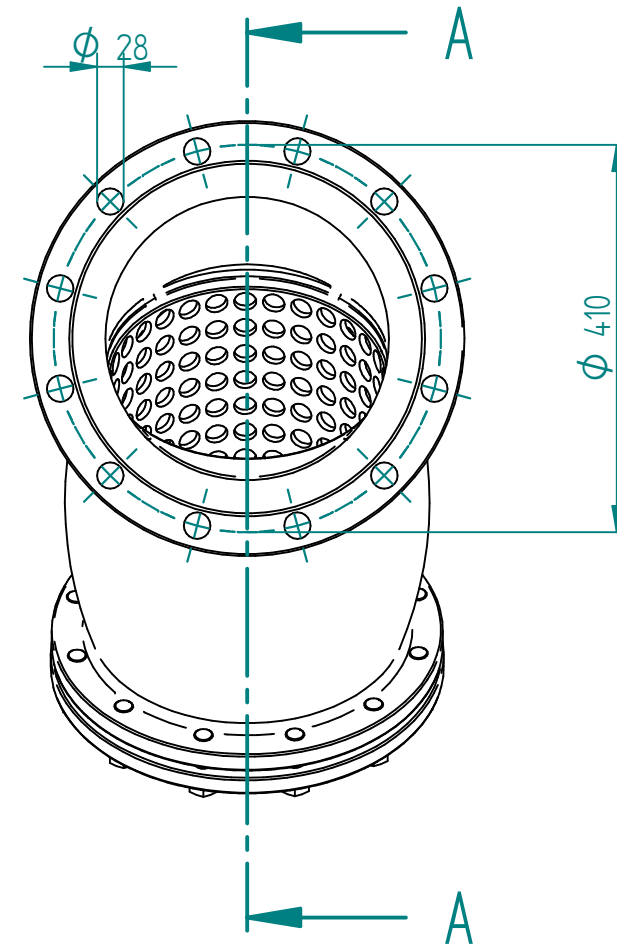



Part name	Material
Body	Iron
Screen	AISI 316
Bonnet	Iron
Gasket	Graphite
Screw plug	Iron
Bolt	AISI 316



SECTION A-A



		NAME	DATE	SIZE	DWG NO	UNLESS OTHERWISE SPECIFIED DIMENSIONS ARE IN MILLIMETERS AND TOLERANCES ARE +/-0,5
	DRAWN	SYHU	18.06.2025	A3	AMX-190-ME01-0300	
	CHECKED	TOCO	dd.mm.yyyy	FILE NAME: AMX-190-ME01-0300.dft		
	ENG APPR	TOCO	dd.mm.yyyy	SCALE: 1:5	REV: 00	
TITLE	Y-STRAINER ME-483401 DN300 PN10 FLANGE 2MM MESH GGG40/SS316/GRAPHITE C5-M COATED BODY EN1092-2 FLANGE/ F-F EN558-S9	MGR APPR	TOCO	dd.mm.yyyy	WEIGHT:	SHEET: 1 OF 1

REV	DESCRIPTION	DATE	APPROVED
REVISION HISTORY			