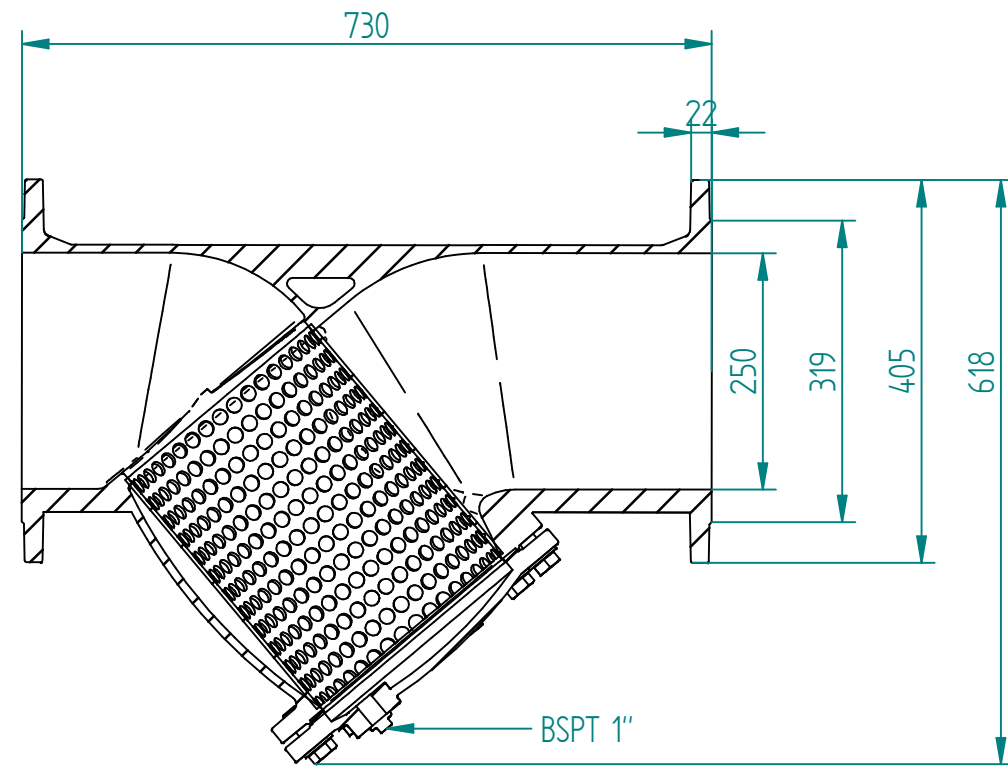
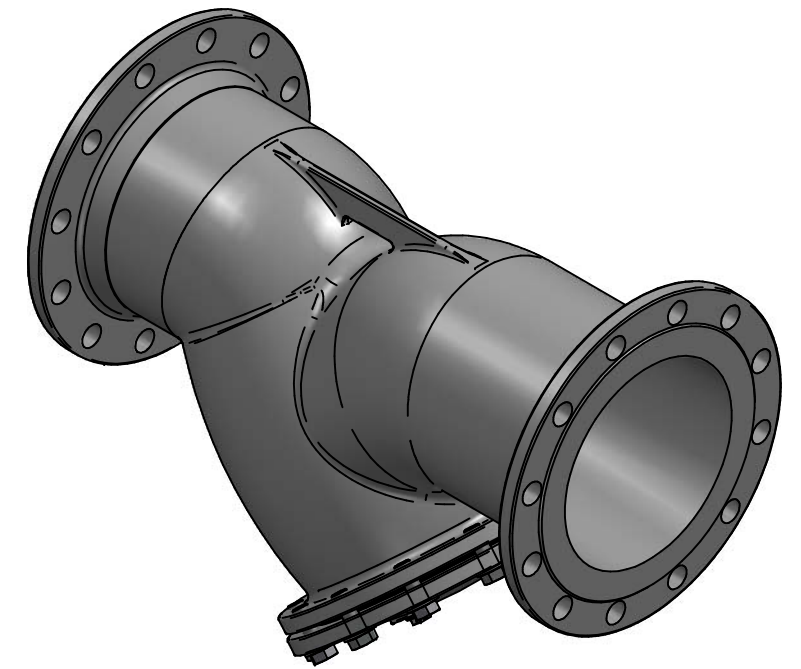
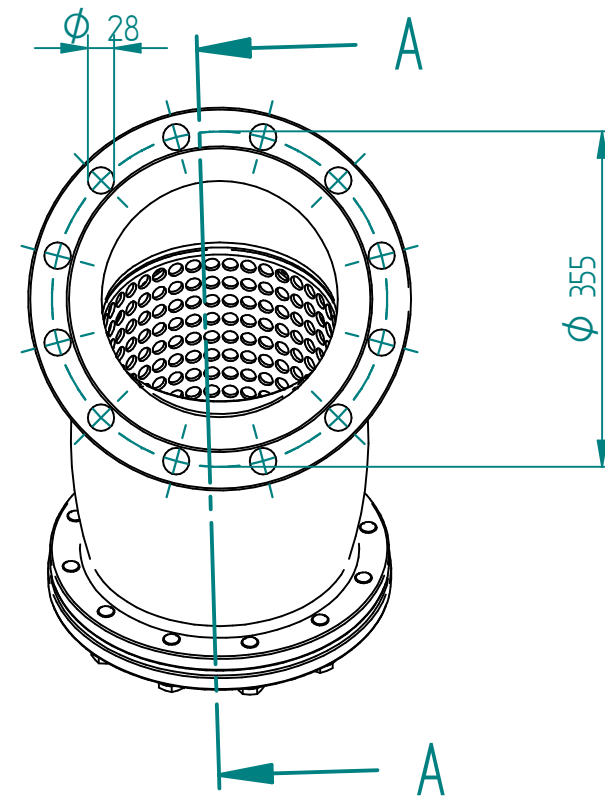


Part name	Material
Body	Iron
Screen	AISI 316
Bonnet	Iron
Gasket	Graphite
Screw plug	Iron
Bolt	AISI 316



SECTION A-A



TITLE	Y-STRAINER ME-483401 DN250 PN10 FLANGE 2MM MESH GGG40/SS316/GRAPHITE C5-M COATED BODY EN1092-2 FLANGE/ F-F EN558-S8	NAME	DATE	SIZE	DWG NO	UNLESS OTHERWISE SPECIFIED DIMENSIONS ARE IN MILLIMETERS AND TOLERANCES ARE +/-0,5
		DRAWN	SYHU	18.06.2025	A3 AMX-190-ME01-0250	
		CHECKED	TOCO	dd.mm.yyyy	FILE NAME: AMX-190-ME01-0250.dft	
		ENG APPR	TOCO	dd.mm.yyyy	SCALE: 1:5	
MGR APPR	TOCO	dd.mm.yyyy	WEIGHT:	SHEET: 1 OF 1		

REV	DESCRIPTION	DATE	APPROVED
REVISION HISTORY			