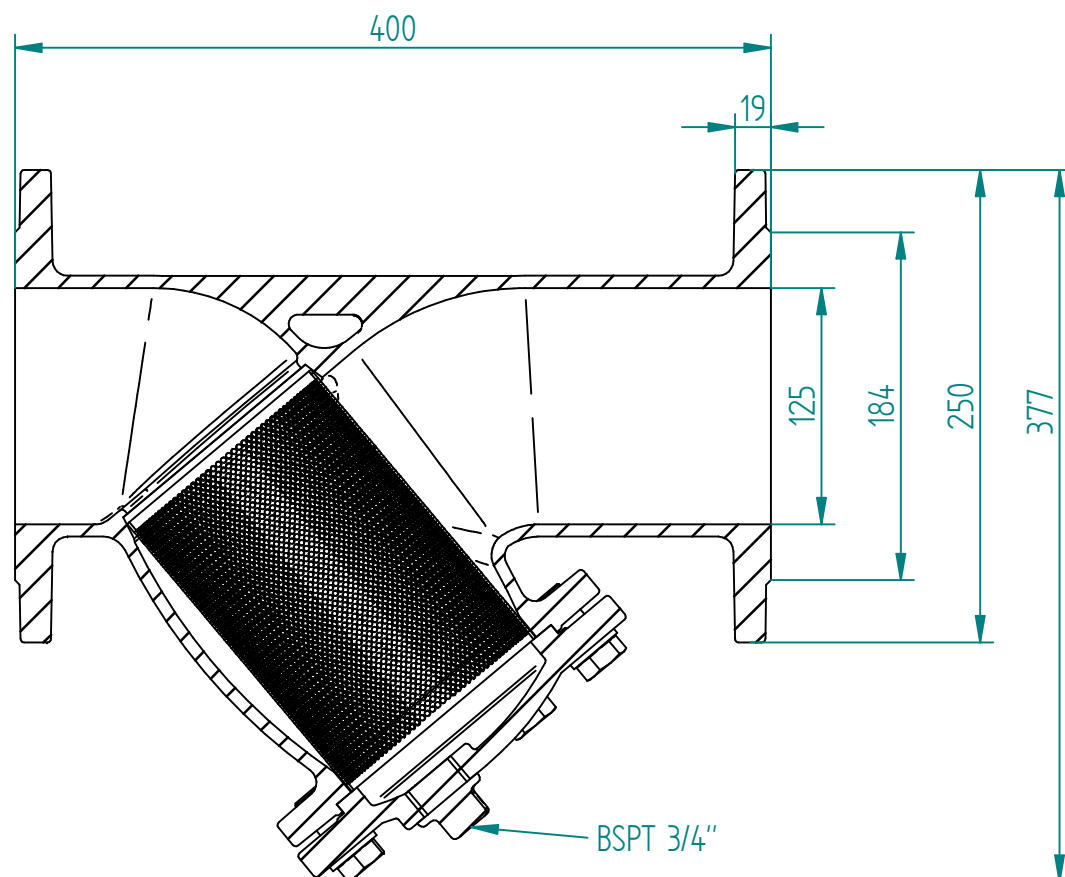
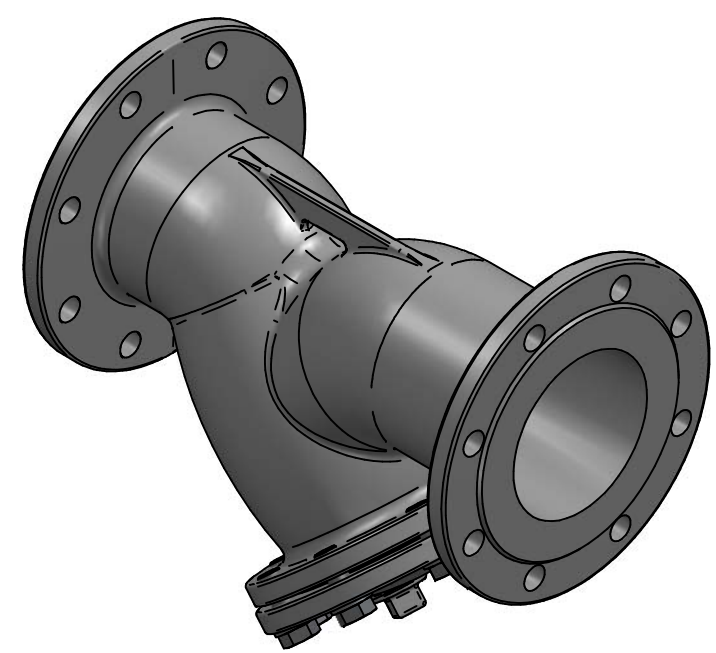
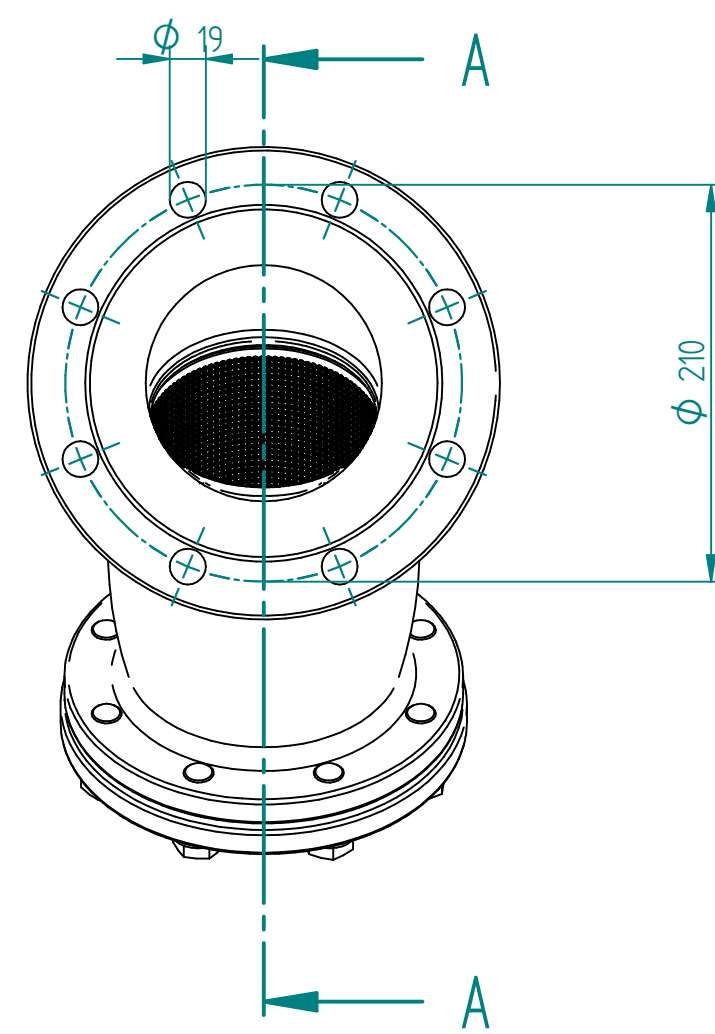


Part name	Material
Body	Iron
Screen	AISI 316
Bonnet	Iron
Gasket	Graphite
Screw plug	Iron
Bolt	AISI 316



SECTION A-A



		NAME	DATE	SIZE	DWG NO
DRAWN	SYHU	18.06.2025	A3	AMX-190-ME01-0125	
CHECKED	TOCO	dd.mm.yyyy	FILE NAME: AMX-190-ME01-0125.dft		
ENG APPR	TOCO	dd.mm.yyyy	SCALE: 1:5	REV: 00	
MGR APPR	TOCO	dd.mm.yyyy	WEIGHT:	SHEET: 1 OF 1	

UNLESS OTHERWISE SPECIFIED DIMENSIONS ARE IN MILLIMETERS AND TOLERANCES ARE +/-0,5

TITLE Y-STRAINER ME-483401 DN125 PN10 FLANGE
1MM MESH GGG40/SS316/GRAPHITE C5-M COATED
BODY
EN1092-2 FLANGE/ F-F EN558-S5

REV	DESCRIPTION	DATE	APPROVED
REVISION HISTORY			