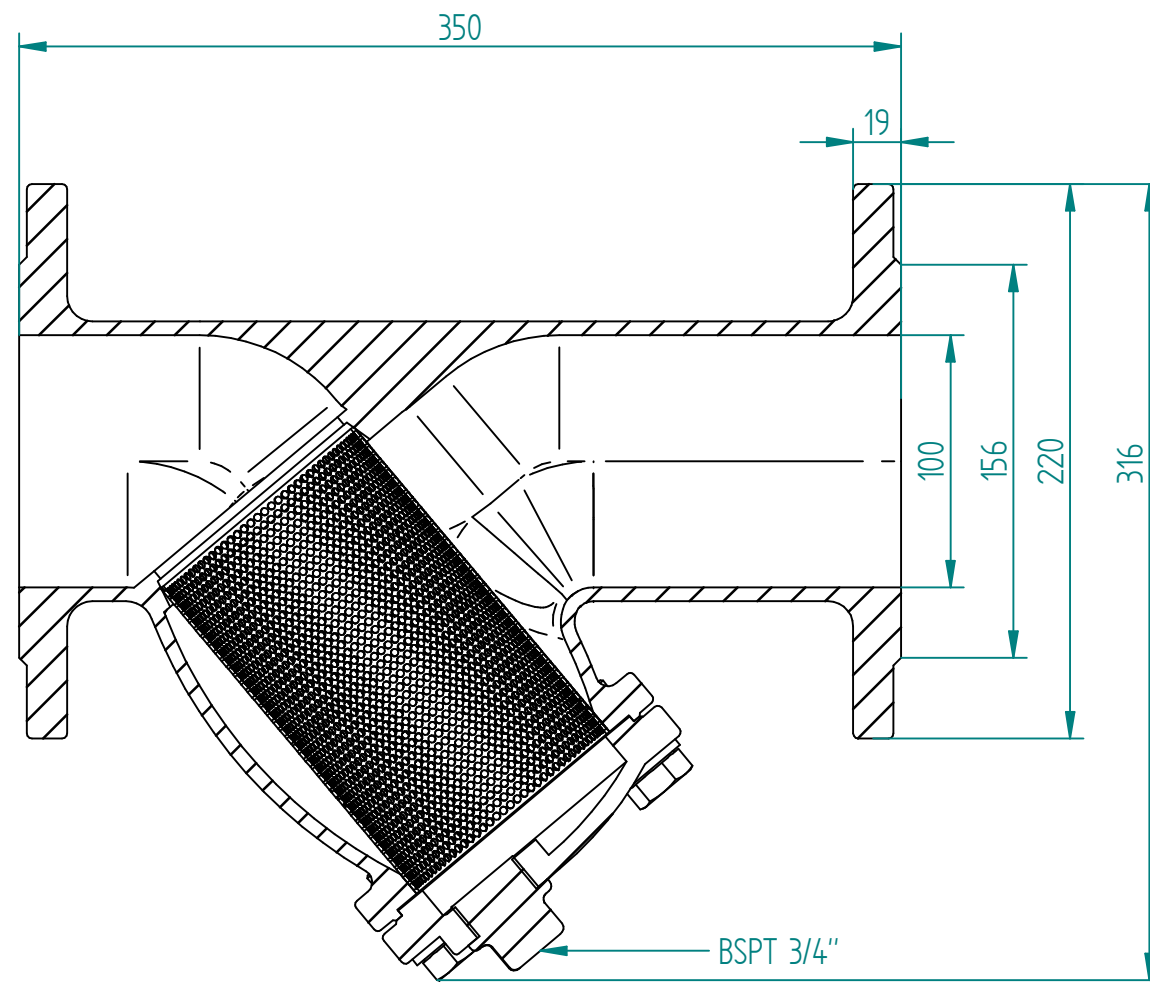
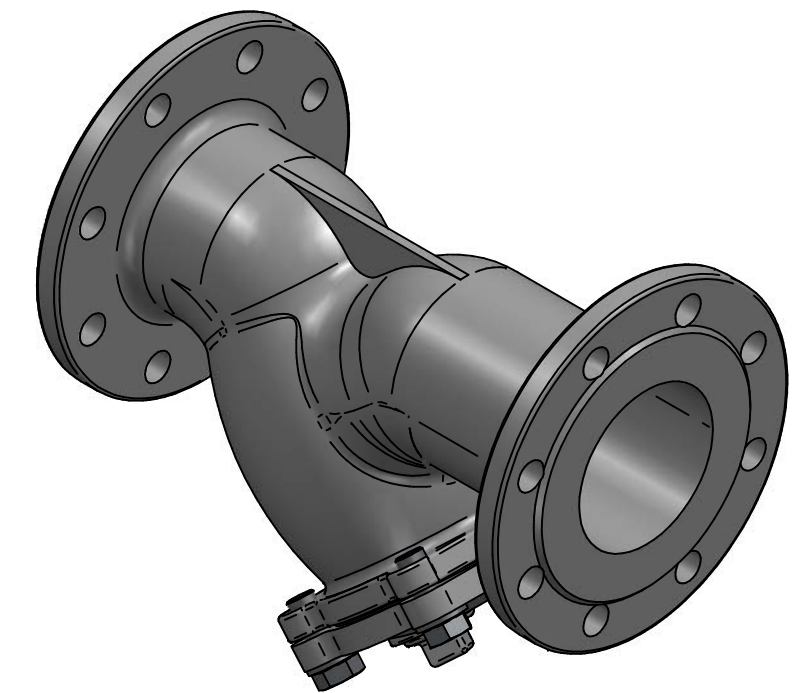
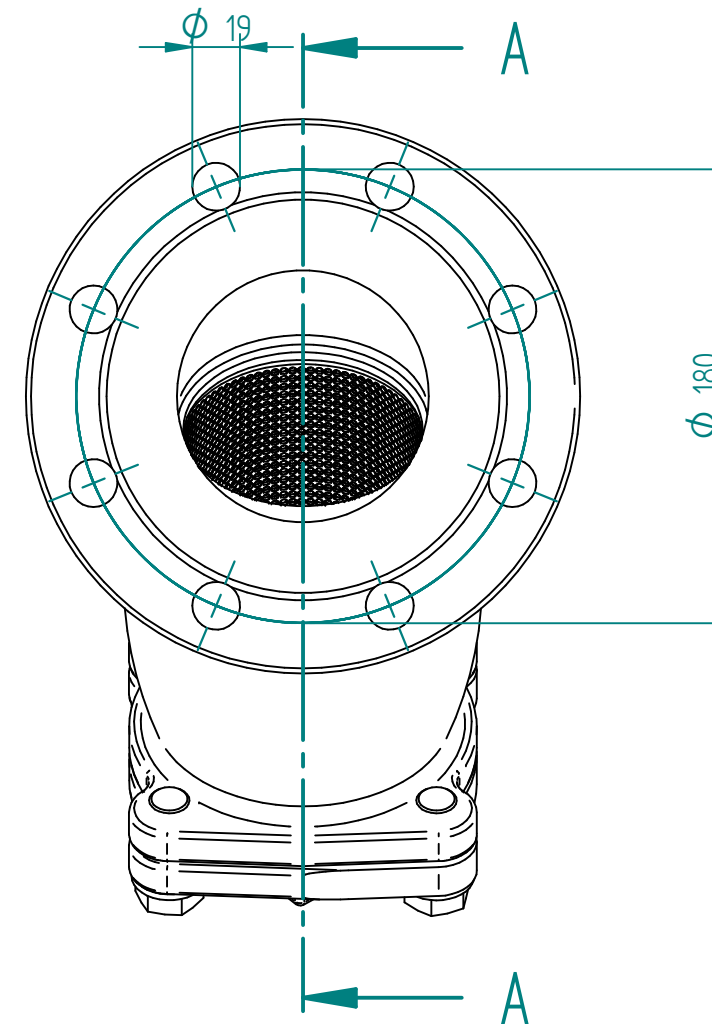



Part name	Material
Body	Iron
Screen	AISI 316
Bonnet	Iron
Gasket	Graphite
Screw plug	Iron
Bolt	AISI 316



SECTION A-A



	NAME	DATE	SIZE	DWG NO	UNLESS OTHERWISE SPECIFIED DIMENSIONS ARE IN MILLIMETERS AND TOLERANCES ARE +/-0,5
	DRAWN	18.06.2025	A3	AMX-190-ME01-0100	
	CHECKED	dd.mm.yyyy	FILE NAME: AMX-190-ME01-0100.dft		
	ENG APPR	dd.mm.yyyy	SCALE: 1:5	REV: 00	
TITLE	MGR APPR	dd.mm.yyyy	WEIGHT:	SHEET: 1 OF 1	
Y-STRAINER ME-483401 DN100 PN10 FLANGE 1MM MESH GGG40/SS316/GRAPHITE C5-M COATED BODY EN1092-2 FLANGE/ F-F EN558-S4					

REV	DESCRIPTION	DATE	APPROVED
REVISION HISTORY			