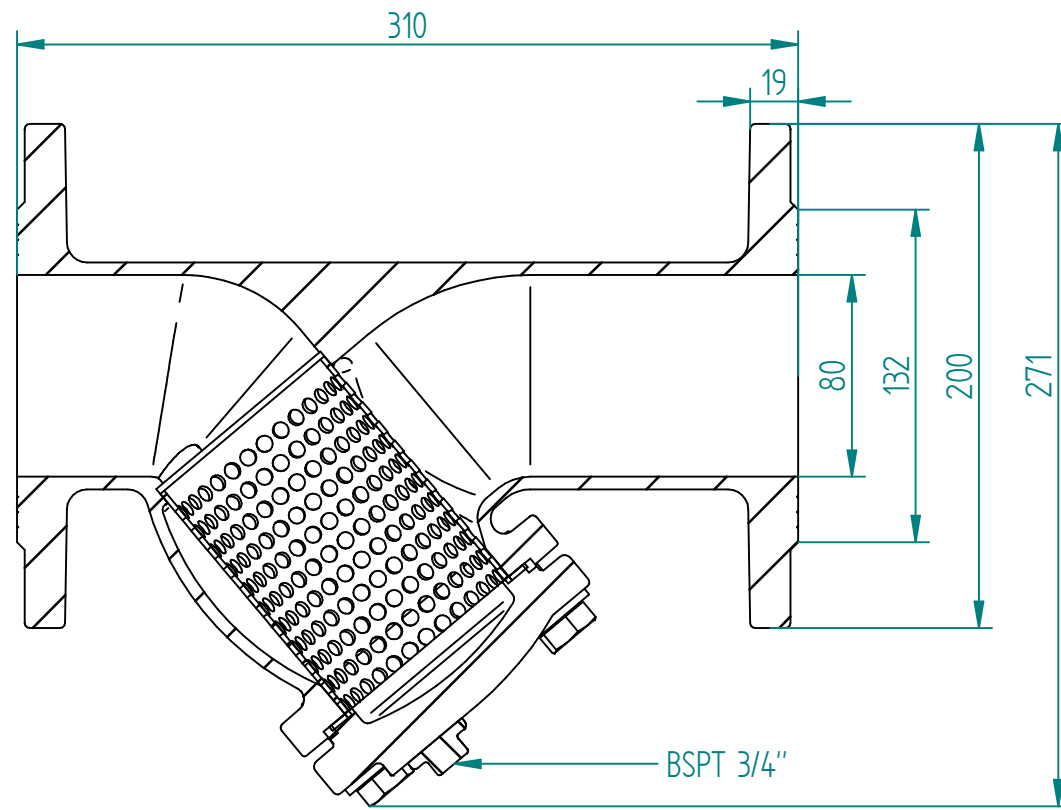
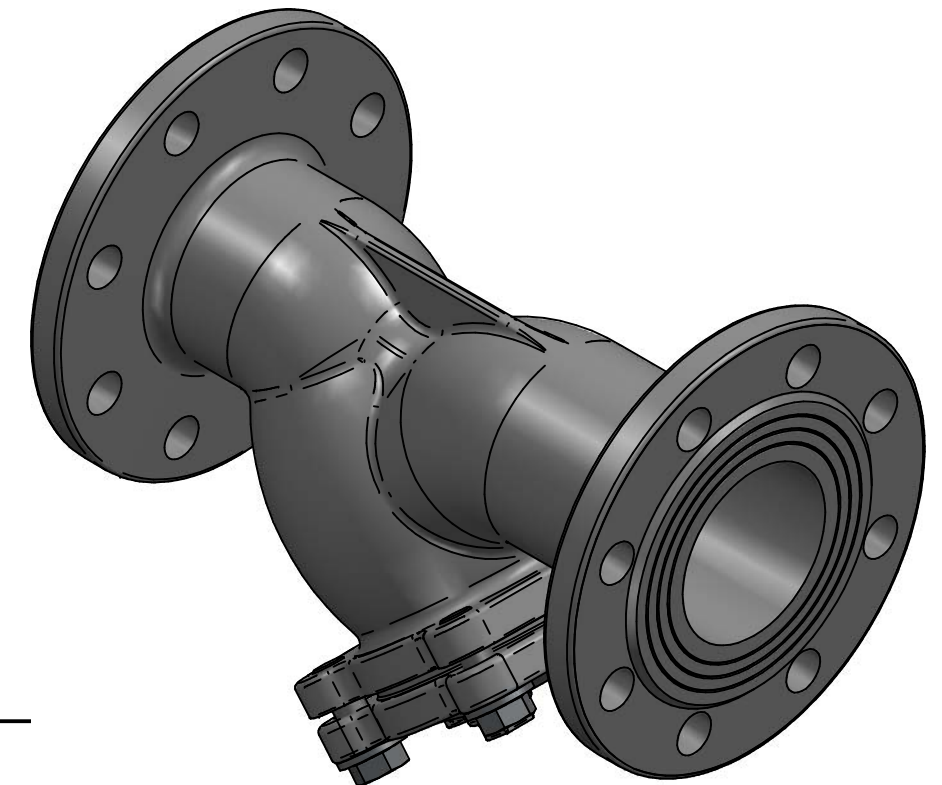
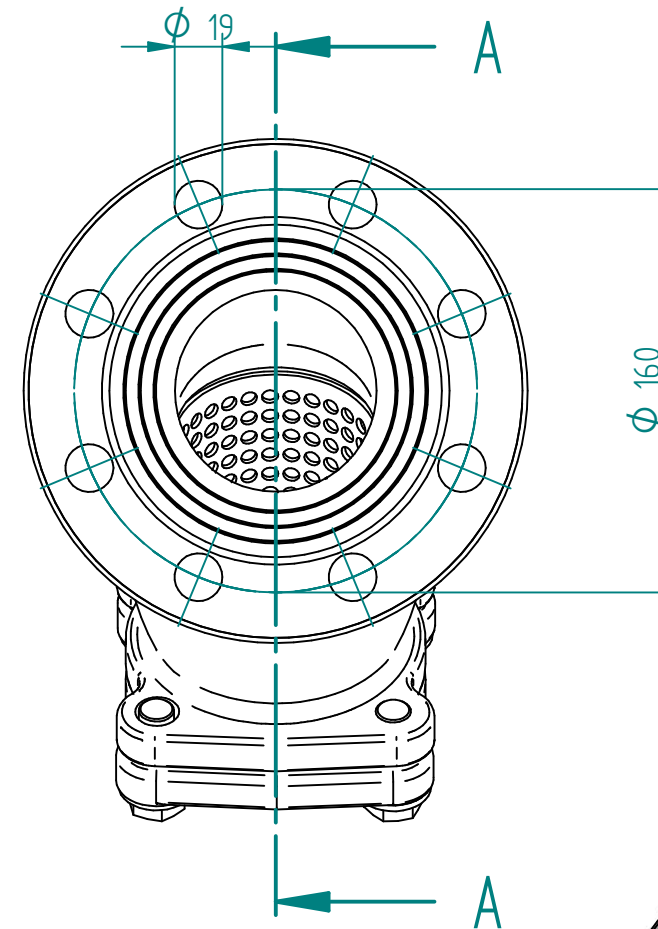


Part name	Material
Body	Iron
Screen	AISI 316
Bonnet	Iron
Gasket	Graphite
Screw plug	Iron
Bolt	AISI 316



SECTION A-A



TITLE	Y-STRAINER ME-483401 DN80 PN10 FLANGE 1MM MESH GGG40/SS316/GRAPHITE C5-M COATED BODY EN1092-2 FLANGE/ F-F EN558-S3	NAME	DATE	SIZE	DWG NO
		DRAWN	SYHU	17.06.2025	<b>A3</b>
CHECKED	TOCO	dd.mm.yyyy	FILE NAME: AMX-190-ME01-0080.dft		
ENG APPR	TOCO	dd.mm.yyyy	SCALE: 1:2	REV: 00	
MGR APPR	TOCO	dd.mm.yyyy	WEIGHT:	SHEET: 1 OF 1	

UNLESS OTHERWISE SPECIFIED  
DIMENSIONS ARE IN MILLIMETERS  
AND TOLERANCES ARE +/-0,5

REV	DESCRIPTION	DATE	APPROVED
REVISION HISTORY			