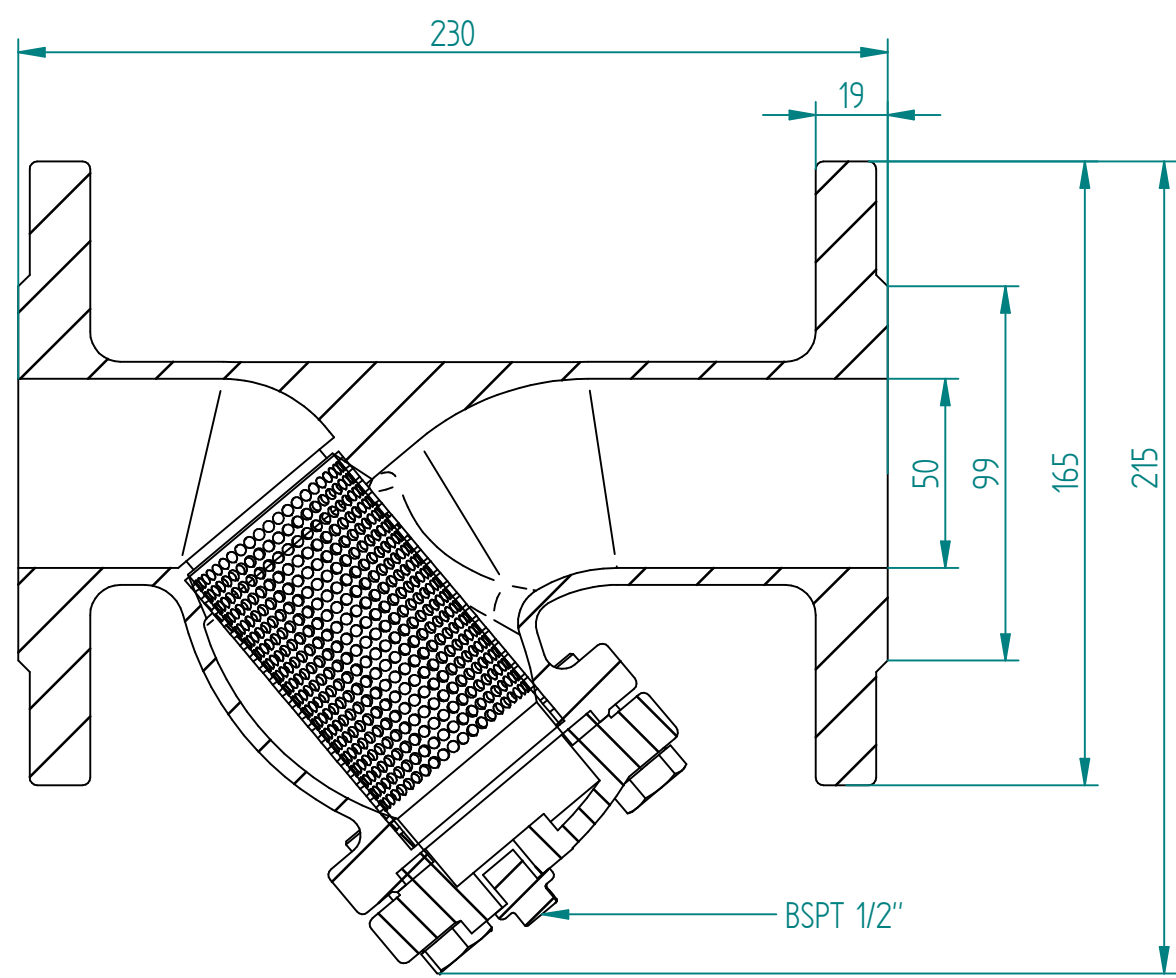
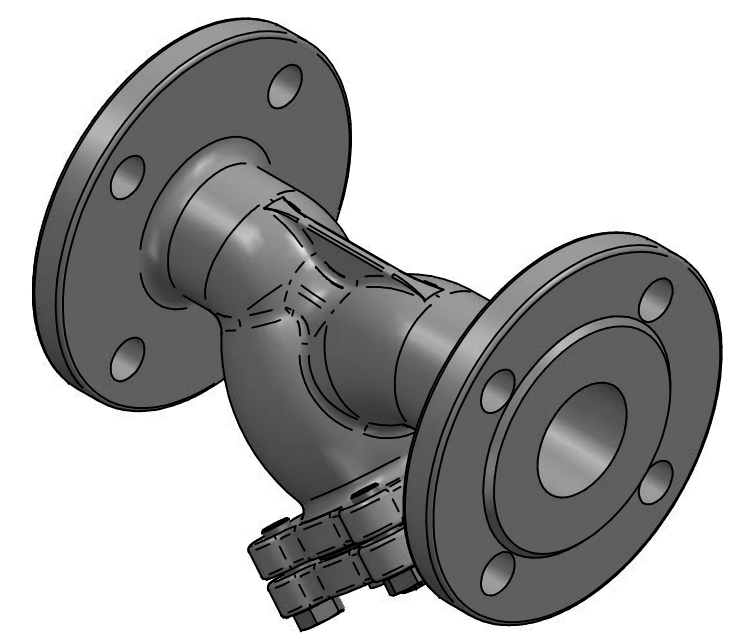
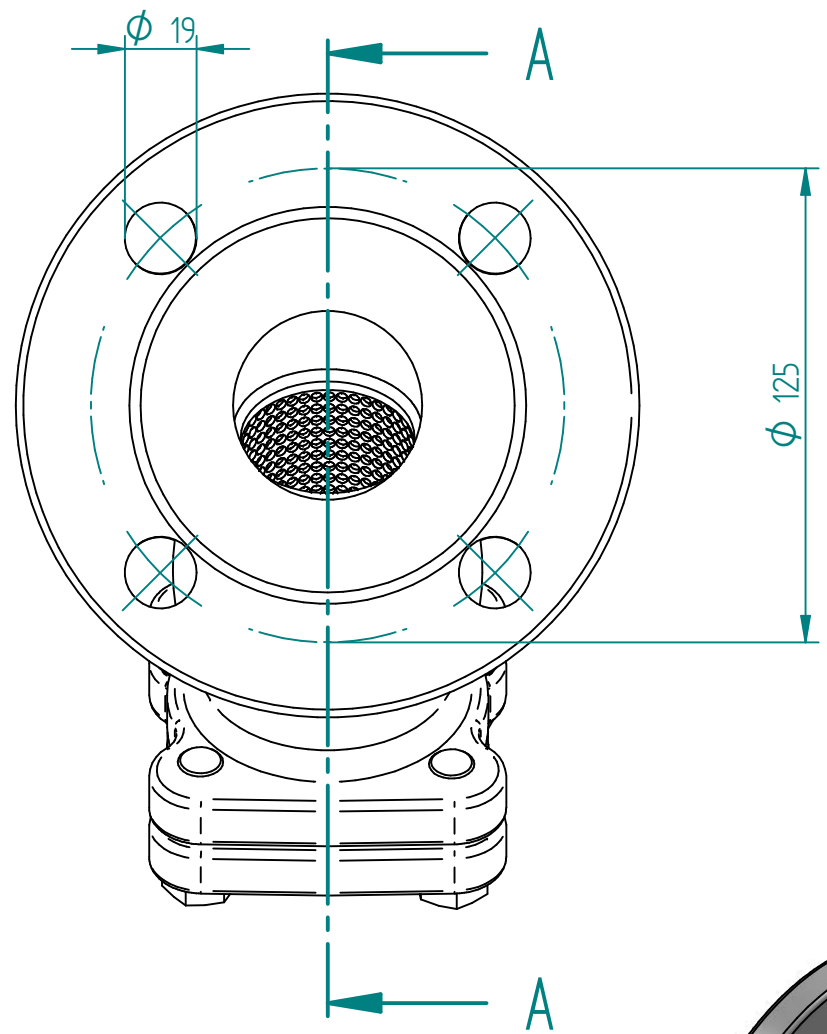



Part name	Material
Body	Iron
Screen	AISI 316
Bonnet	Iron
Gasket	Graphite
Screw plug	Iron
Bolt	AISI 316



SECTION A-A



		NAME	DATE	SIZE	DWG NO
	DRAWN	SYHU	17.06.2025	A3	AMX-190-ME01-0050
	CHECKED	TOCO	dd.mm.yyyy	FILE NAME: AMX-190-ME01-0050.dft	
	ENG APPR	TOCO	dd.mm.yyyy	SCALE: 1:2	REV: 00
TITLE	Y-STRAINER ME-483401 DN50 PN10 FLANGE 1MM MESH GGG40/SS316/GRAPHITE C5-M COATED BODY EN1092-2 FLANGE/ F-F EN558-S1	MGR APPR	TOCO	dd.mm.yyyy	WEIGHT:
					SHEET: 1 OF 1

UNLESS OTHERWISE SPECIFIED DIMENSIONS ARE IN MILLIMETERS AND TOLERANCES ARE +/-0,5

REV	DESCRIPTION	DATE	APPROVED
REVISION HISTORY			