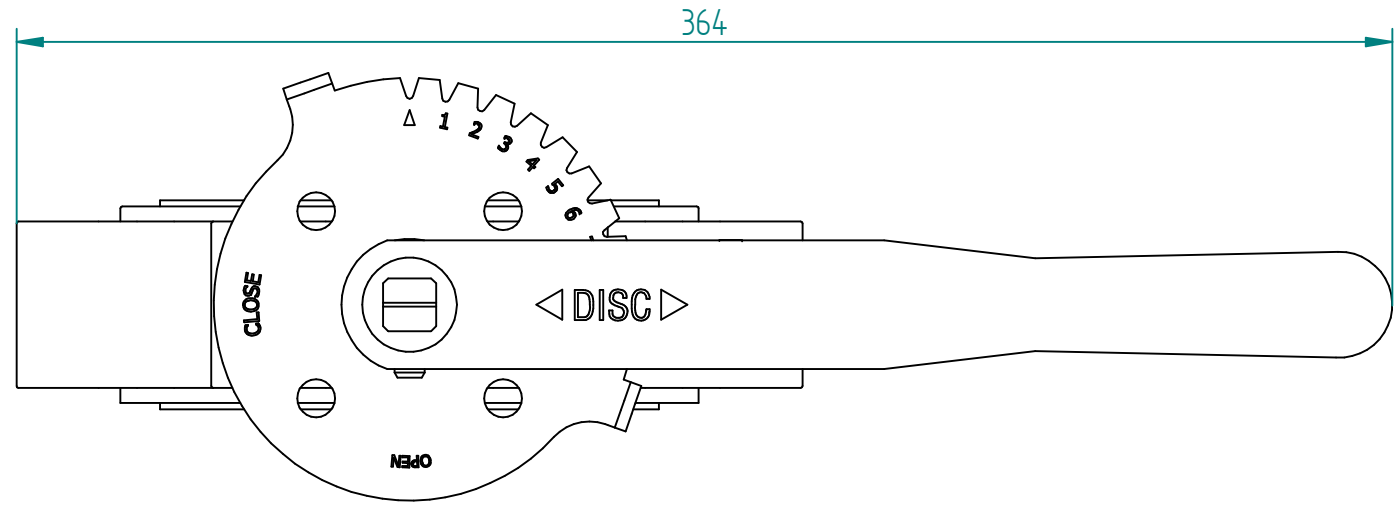
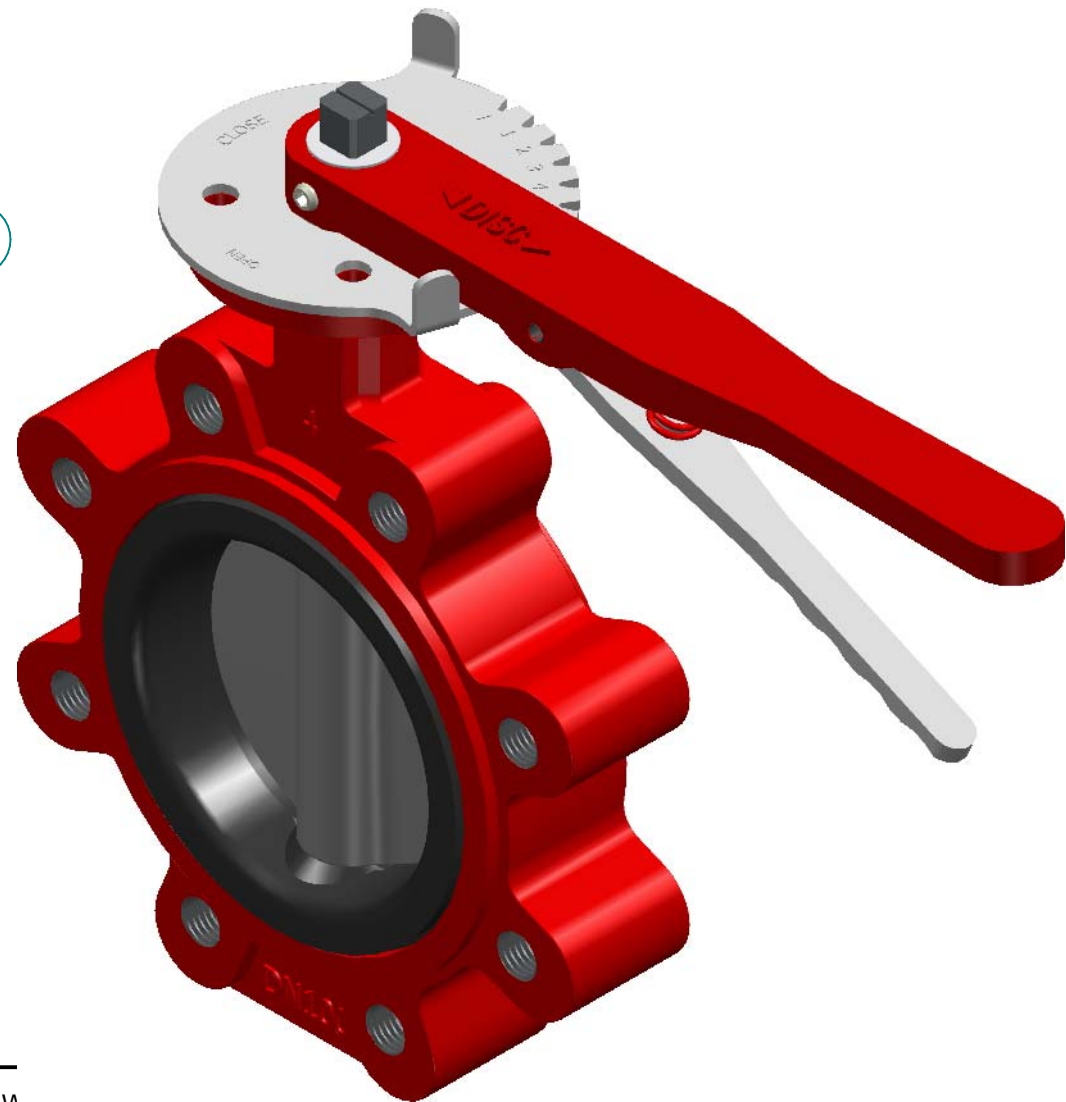


POS	Item number	Material	Quantity
1	Seat	EPDM (Ethylene Propylene Diene Monomer)	1
2	Body	Iron:0.7040 , EN-GJS-400-15 Ceramic	1
3	Short-Bushing	PTFE (Polytetrafluoroethylene)	2
4	Long-Bushing	PTFE (Polytetrafluoroethylene)	2
5	O-RING	NBR (Nitrile Butadiene Rubber)	1
6	Disc	Iron:0.7040 , EN-GJS-400-15 Ceramic	1
7	Stem-Top	Stainless Steel, 416	1
8	Stop-Cover	Galvanized steel	1
9	Stem-Bottom	Stainless Steel, 416	1
10	Screw	Galvanized steel	2
11	QIF-320-L03		1

SECTION A-A



		NAME	DATE	SIZE	DWG NO
DRAWN		AXJO	23.04.2026	A3	AMX-110-061-0100
CHECKED		TOCO	dd.mm.yyyy	FILE NAME: AMX-110-061-0100.dft	
ENG APPR		TOCO	dd.mm.yyyy	SCALE: 1:2	REV: 00
MGR APPR		TOCO	dd.mm.yyyy	WEIGHT: 6,488 kg	SHEET: 1 OF 1

UNLESS OTHERWISE SPECIFIED DIMENSIONS ARE IN MILLIMETERS AND TOLERANCES ARE +/-0,5

REV	DESCRIPTION	DATE	APPROVED
00	First issue	23.04.2026	AXJO
REVISION HISTORY			

TITLE GA-Drawing and Parts List