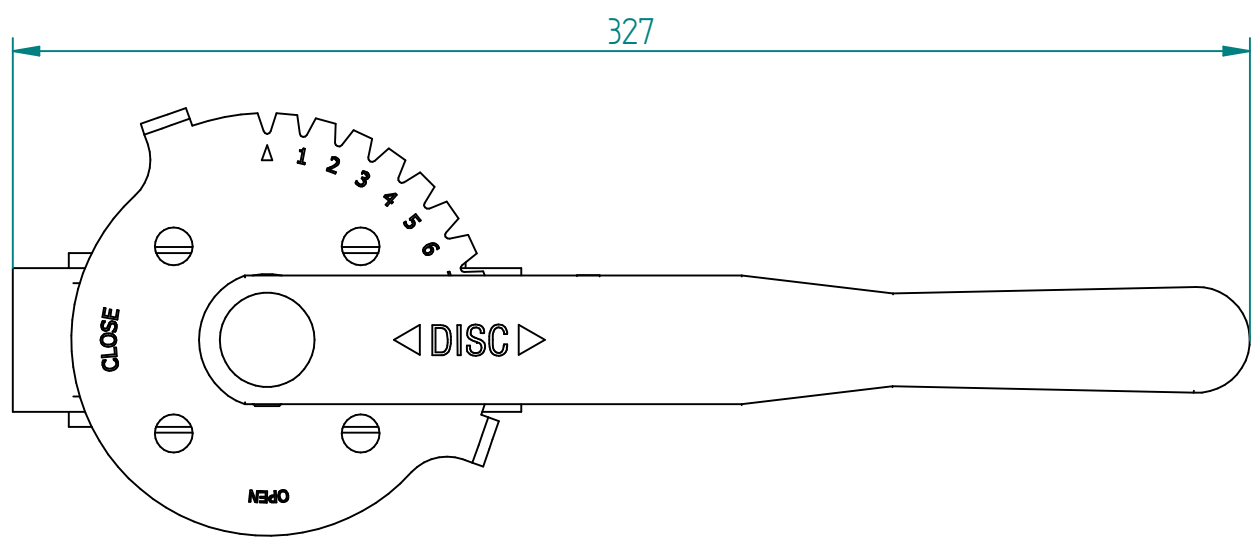
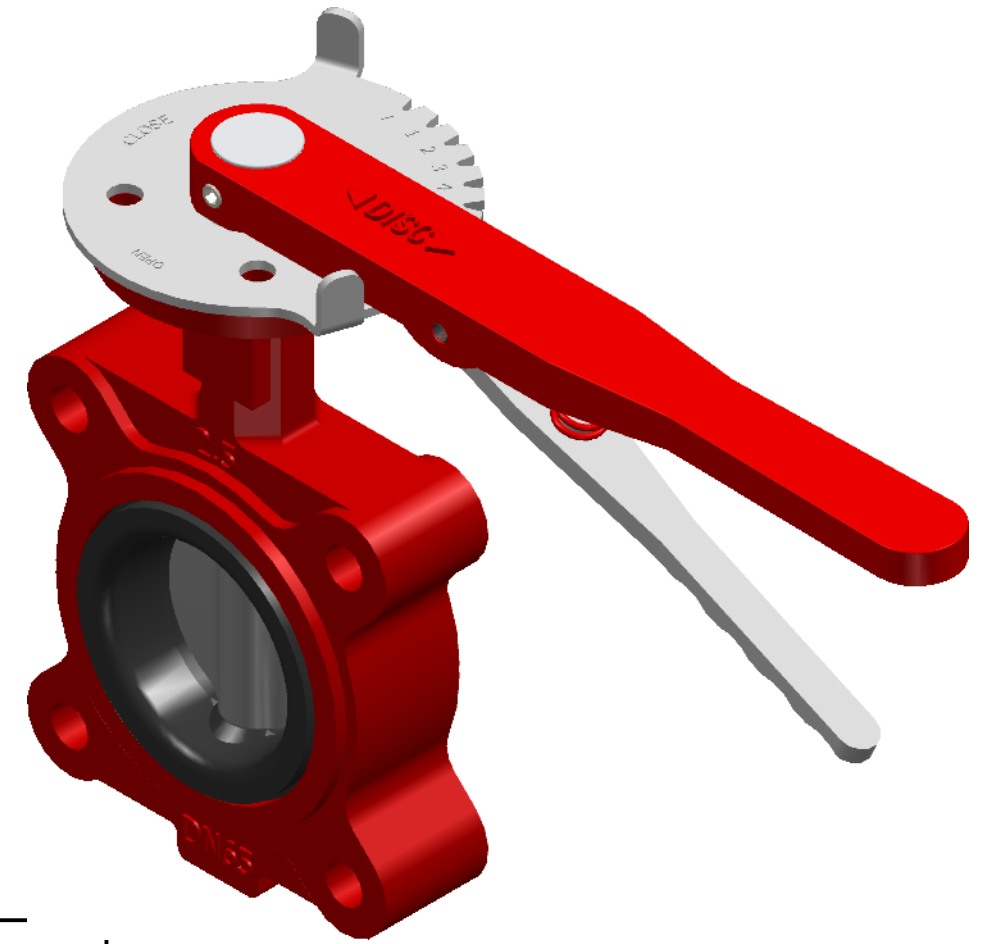


SECTION A-A



POS	Item number	Material	Quantity
1	Long-Bushing-B	PTFE (Polytetrafluoroethylene)	1
2	Body	Iron:0.7040 , EN-GJS-400-15 Ceramic	1
3	O-RING	NBR (Nitrile Butadiene Rubber)	1
4	Long-Bushing-T	PTFE (Polytetrafluoroethylene)	1
5	Small-Bushing	PTFE (Polytetrafluoroethylene)	2
6	Seat	EPDM (Ethylene Propylene Diene Monomer)	1
7	Disc	Iron:0.7040 , EN-GJS-400-15 Ceramic	1
8	Stem	Stainless Steel, 416	1
9	Stop-Cover	Galvanized steel	1
10	Screw	Galvanized steel	2
11	QIF-320-L02		1



TITLE	NAME		DATE	SIZE	DWG NO
	DRAWN	AXJO	23.04.2026	A3	AMX-110-061-0065
	CHECKED	TOCO	dd.mm.yyyy	FILE NAME: AMX-110-061-0065.dft	
	ENG APPR	TOCO	dd.mm.yyyy	SCALE: 1:2	REV: 00
MGR APPR	TOCO	dd.mm.yyyy	WEIGHT: 3,779 kg	SHEET: 1 OF 1	

UNLESS OTHERWISE SPECIFIED DIMENSIONS ARE IN MILLIMETERS AND TOLERANCES ARE +/-0,5

REV	DESCRIPTION	DATE	APPROVED
00	First issue	23.04.2026	AXJO
REVISION HISTORY			

TITLE GA-Drawing and Parts List