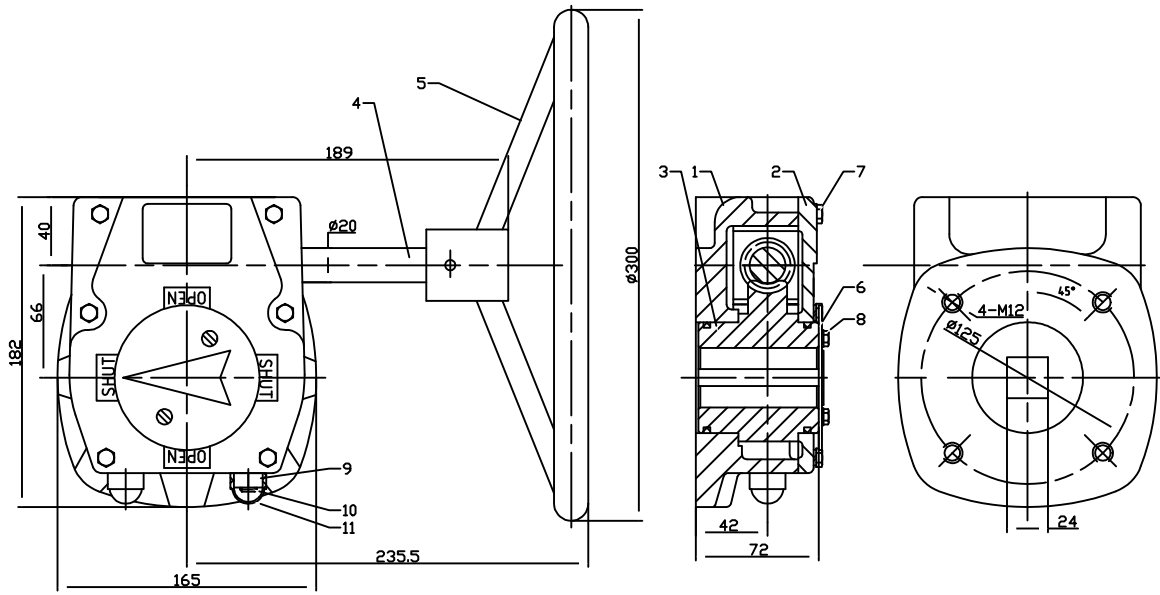


1	2	3	4
RevNo	Revision note	Date	Signature
			Checked

No.	Part name	Quantity	Material
1	Box	1	CF8M
2	Needle thrust bearing	2	CF8M
3	Turbine	1	C95400
4	Worm	2	SS316
5	Handwheel	1	SS316
6	Sign	1	SS316
7	Bolt	1	SS316
8	Bolt	1	SS316
9	Nut	1	SS316
10	Set screw	1	SS316
11	Rubber cap	4	NBR



Itemref	Quantity	Title/Name, designation, material, dimension etc			
Designed by Sylvan	Checked by HUGO	Approved by - date 2026-04-30	File name Butterfly Valve	Date 2026-04-30	Scale
ABC VALVE CONFIDENTIAL&PROPRIETARY.This drawing and the information it contains are ghe property of ABC VALVE and may not be used or disclosed except as permitt in writing by an authorized representative of ABC VALVE.			M12		
				Edition V1	Sheet 1/1