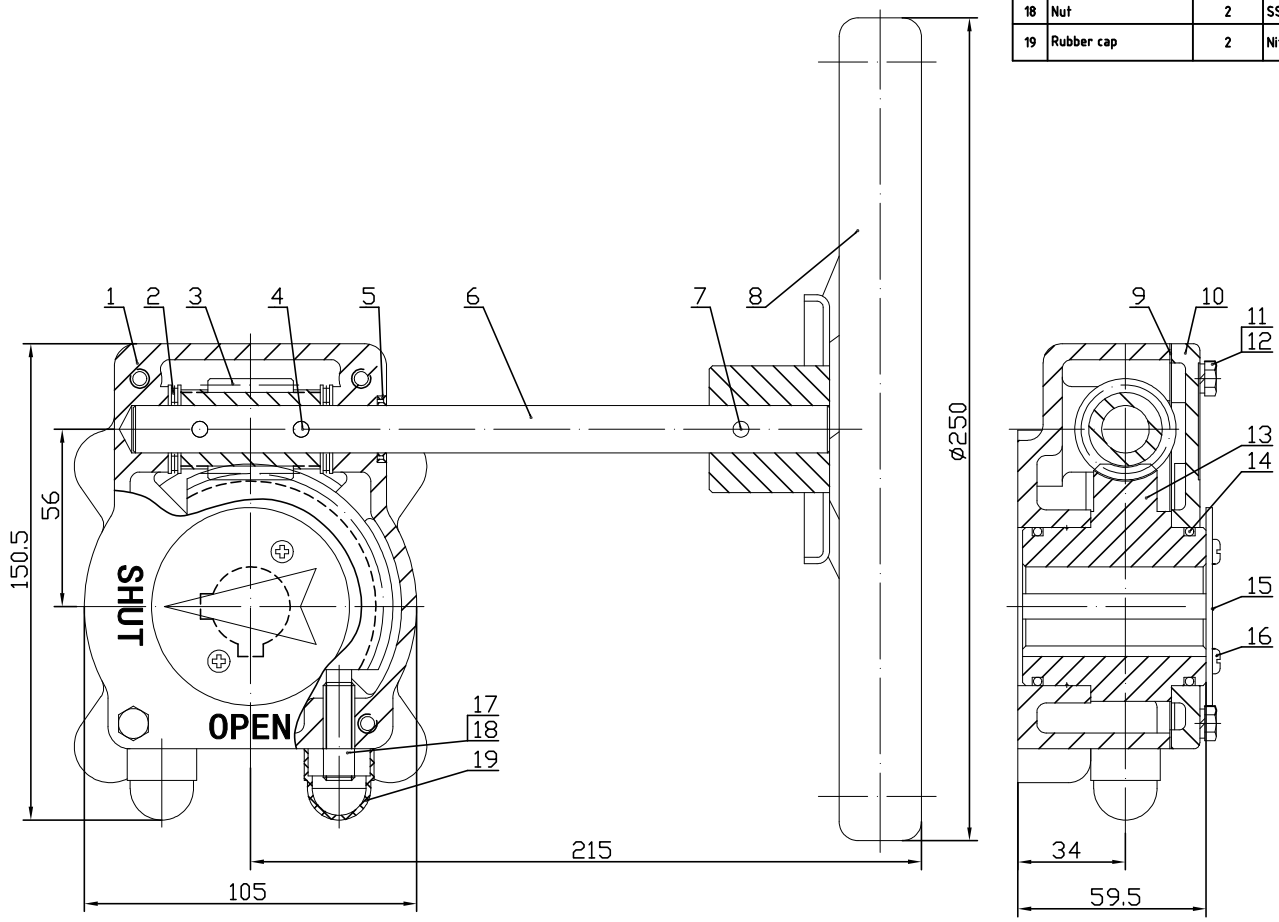


1	2	3	4
RevNo	Revision note	Date	Signature
			Checked

No.	Part name	Quantity	Material
1	Box	1	CF8M
2	Needle thrust bearing	2	
3	Worm	1	SS316
4	Cylindrical pin	2	SS316
5	Skeleton oil seal	1	Nitrile rubber
6	Worm shaft	1	SS316
7	Spring pin	1	SS316
8	Handwheel	1	SS316
9	Rubber pad	1	Nitrile rubber
10	Box cover	1	CF8M
11	Hex head bolt	4	SS316
12	Spring washer	4	SS316
13	Turbine	1	C95400
14	O-ring	2	Nitrile rubber
15	Indicator panel	1	SS316
16	Bolt	2	SS316
17	Bolt	2	SS316
18	Nut	2	SS316
19	Rubber cap	2	Nitrile rubber



Itemref	Quantity	Title/Name, designation, material, dimension etc		
Designed by Sylvan	Checked by HUGO	Approved by - date 2026-04-30	File name Butterfly Valve	Date 2026-04-30
ABC VALVE		MX10		
CONFIDENTIAL&PROPRIETARY.This drawing and the information it contains are ghe property of ABC VALVE and may not be used or disclosed except as permitt in writing by an authorized representative of ABC VALVE.		Edition V1	Sheet 1/1	