

1

2

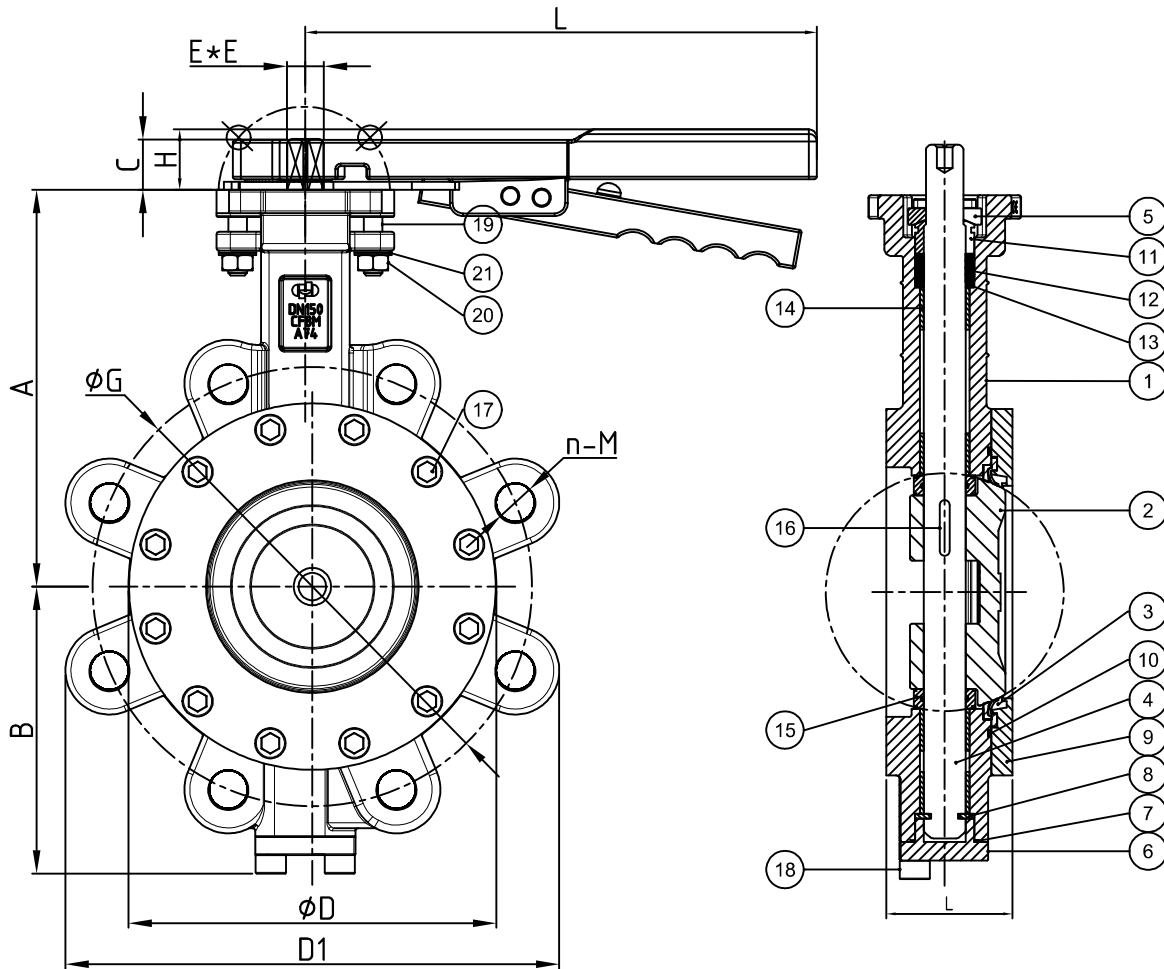
3

4

DN	INCH	A	B	C	D	D1	E	G	n-M	Top Flange	L	H	L1	Weight/ KG	Torque without safety factor/NM
80	3"	14.5	100	17.5	130	166	11*11	160	8-M16	F07	48	23	195	9	80
100	4"	170	124	17.5	157	218	14*14	180	8-M16	F07	54	32	267	11	110
125	5"	185	144	17.5	186	241	14*14	210	8-M16	F07	57	32	267	16	170
150	6"	203	150	18.5	216	264	17*17	240	8-M20	F10	57	32	267	21	225

No.	Part name	Material	MDS
1	Body	ASTM A351 CF8M	SC301
2	Disc	ASTM A351 CF8M	SC302
3	Seat	Inconel + RPTFE	
4	Shaft	SS316	SV301
5	Packing gland	Same as body	
6	Bottom cover	Same as body	
7	Cover seal	Graphite	
8	Retaining ring	SS316	
9	Seal retainer	Same as body	
10	Gasket	RPTFE	
11	Packing pressing ring	SS316	
12	Packing	RPTFE	
13	Packing supporting ring	SS316	
14	Bearing	SS316 with PTFE inside	
15	Thrust bearing	SS316	
16	Key	SS316	
17	Bolt	SS316	
18	Bolt	SS316	XN501
19	Bolt	SS316	XN501
20	Nut	SS316	XN501
21	Belleville	SS316	

Property Specifications	
Rating	16bar
Shell Test Pressure	Hydro 24bar
Seat Test Pressure	17.6bar
Seat Test Pressure	Gas 6bar
Medium	W.O.G



1. Designed according to: API 609
2. Inspection according to: API 598
3. Flange accommodation: EN1092-1 PN10/16
4. Face to face dimension: API 609

Itemref	Quantity	Title/Name, designation, material, dimension etc			
Designed by Sylvan	Checked by HUGO	Approved by - date 2026-05-14	File name Butterfly Valve	Date 2026-05-14	Scale
ABC VALVE CONFIDENTIAL&PROPRIETARY. This drawing and the information it contains are the property of ABC VALVE and may not be used or disclosed except as permitted in writing by an authorized representative of ABC VALVE.			A74 DN80-150		
			Series A74	Edition V1	Sheet 1/1

1

4