

1

2

3

4

DN	INCH	A	B	C	D	D1	E	G	n-M	Top Flange	L	H	Weight/ KG	Torque without safety factor/NM
200	8"	239	208	24.5	269	333	22×22	295	8-M20	F12	62.5	33	24	390
250	10"	275	238	24.5	324	421	22×22	350	12-M20	F12	71	33	43	632

No.	Part name	Material	MDS
1	Body	ASTM A351 CF8M	SC301
2	Disc	ASTM A351 CF8M	SC302
3	Seat	Inconel + RPTFE	
4	Shaft	SS316	SV301
5	Packing gland	Same as body	
6	Bottom cover	Same as body	
7	Cover seal	Graphite	
8	Retaining ring	SS316	
9	Seal retainer	Same as body	
10	Gasket	RPTFE	
11	Packing pressing ring	SS316	
12	Packing	RPTFE	
13	Packing supporting ring	SS316	
14	Bearing	SS316 with PTFE inside	
15	Thrust bearing	SS316	
16	Key	SS316	
17	Bolt	SS316	
18	Bolt	SS316	XN501
19	Bolt	SS316	XN501
20	Nut	SS316	XN501
21	Belleville	SS316	

Property Specifications	
Rating	10bar
Shell Test Pressure	Hydro 15bar
Seat Test Pressure	11bar
Seat Test Pressure	Gas 6bar
Medium	W.O.G

A

A

B

B

C

C

D

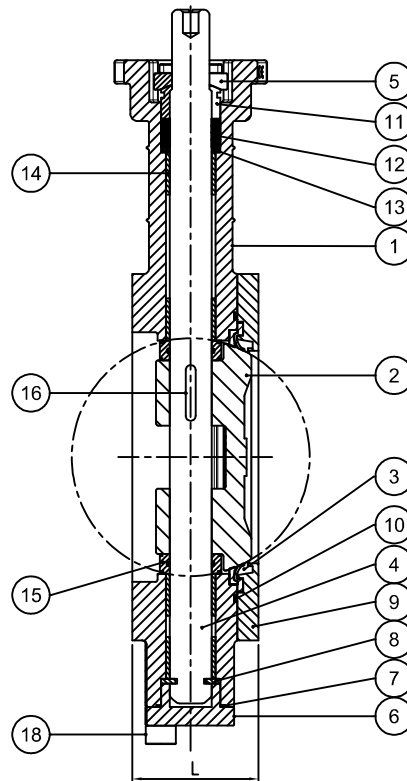
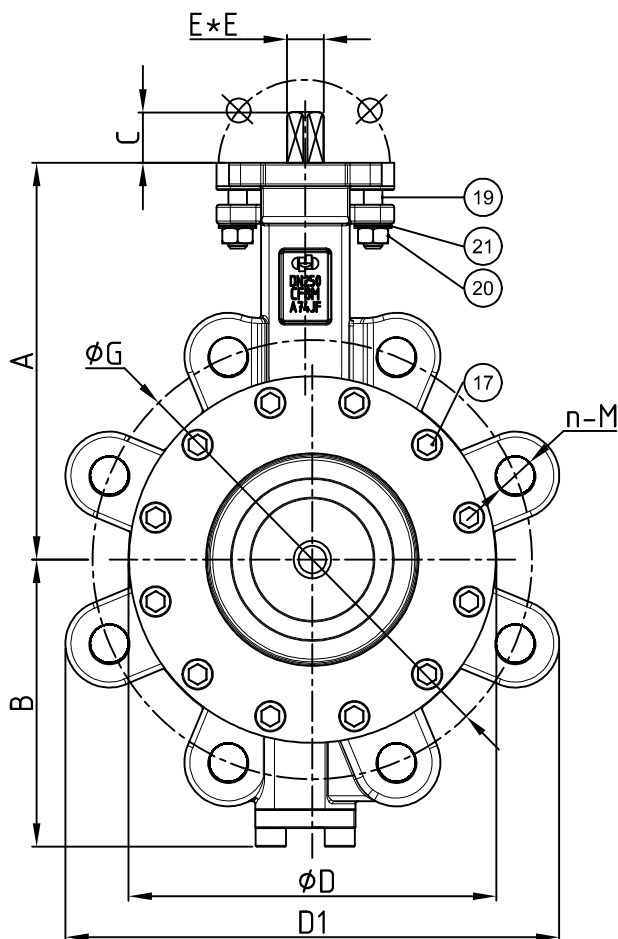
D

E

E

F

F



1. Designed according to: API 609
2. Inspection according to: API 598
3. Flange accommodation: EN1092-1 PN10
4. Face to face dimension: API 609

Itemref	Quantity	Title/Name, designation, material, dimension etc			
Designed by Sylvan	Checked by HUGO	Approved by - date 2026-05-14	File name Butterfly Valve	Date 2026-05-14	Scale
ABC VALVE CONFIDENTIAL&PROPRIETARY. This drawing and the information it contains are the property of ABC VALVE and may not be used or disclosed except as permitted in writing by an authorized representative of ABC VALVE.			A74JF DN200-250 PN10		
			Series A74JF	Edition V1	Sheet 1/1

1

4