

		1		2										3		4		
		修订号	修订说明										日期	签字	已校对			
DN	INCH	A	B	C	D	E	F	H	L	G	M	n-MQ	4-Ød	No.	Part name	Material		
50	2"	135	72	23	120	11*11	F07	32	43	195	125	4-M16	10	1	Body	CF8M		
65	2 1/2"	150	83	23	115	11x11	F07	50	46	195	145	8-M16	10	2	Disc	CF8M		
80	3"	160	92	23	142	11*11	F07	69	46	195	160	8-M16	10	3	Seat	EPDM		
100	4"	180	102	32	162	11*11	F07	88	52	267	180	8-M16	10	4	Stem	SS316		
125	5"	195	120	32	185	14x14	F07	115	56	267	210	8-M16	10					
150	6"	210	133	19	214	14x14	F07	141	56	267	240	8-M20	10					

Property Specifications		
PN	16	
Shell Test Pressure	Hydro	24bar
Seat Test Pressure		17.6bar
Seat Test Pressure	Gas	6bar
Medium	W. O. G	

A

A

B

B

C

C

D

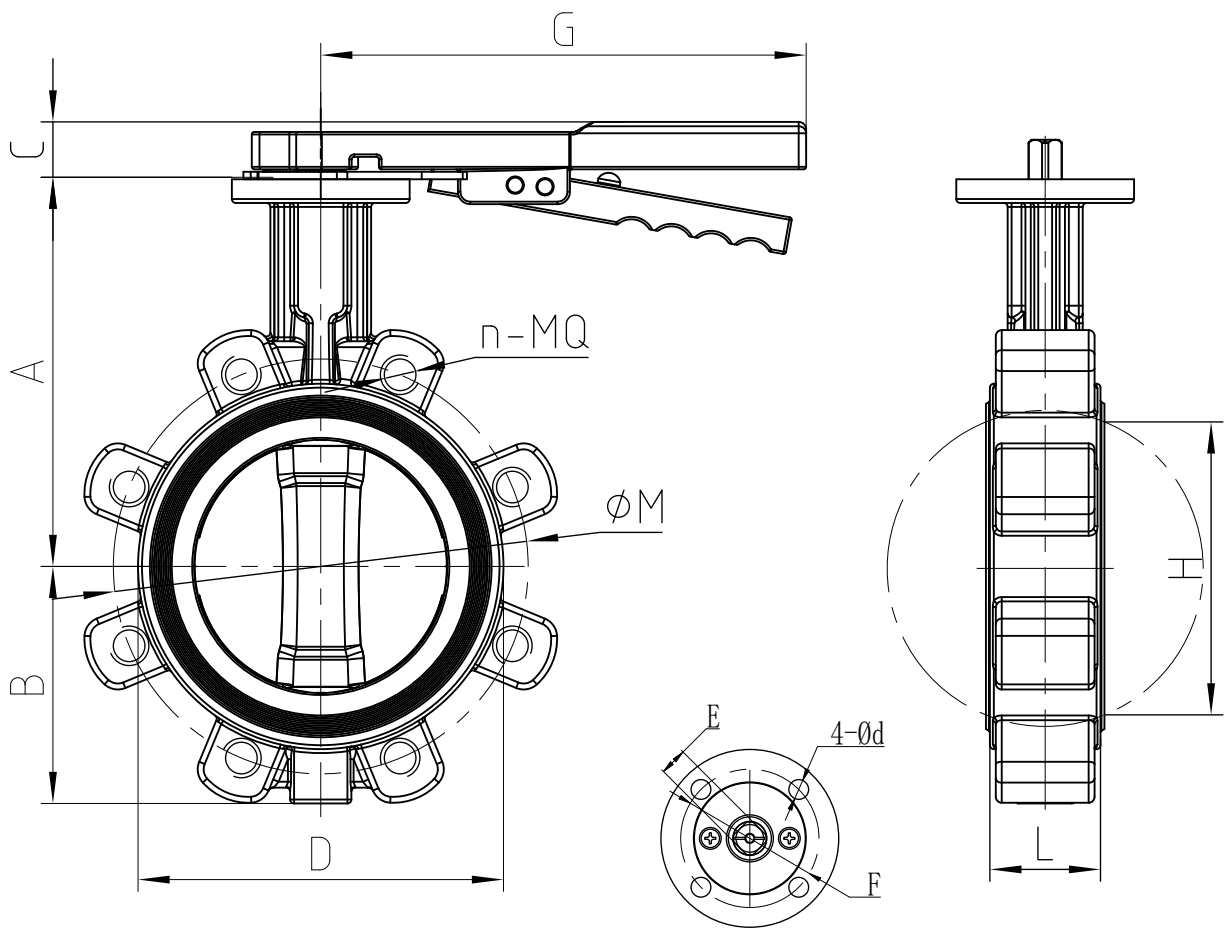
D

E

E

F

F



1. Designed according to: API609
2. Flange accommodation: EN1092 PN 10/16
3. Inspection according to: API598

Itemref	Quantity	1			Title/Name, designation, material, dimension etc	File name	
Designed by	DAVID	Checked by	James	Approved by date	Materials	Date	Scale
				2026-04-28		2026-04-28	1:1
ABC VALVE					DN50-125		
CONFIDENTIAL & PROPRIETARY. This drawing and the information it contains are the property of ABC VALVE and may not be used or disclosed except as permitted in writing by an authorized representative of ABC VALVE.					SERIES A32	Edition	Sheet
						R0	1/1