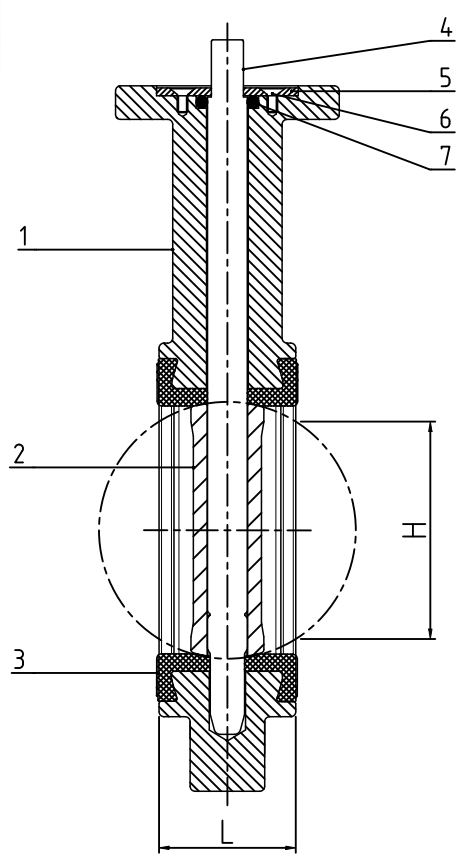
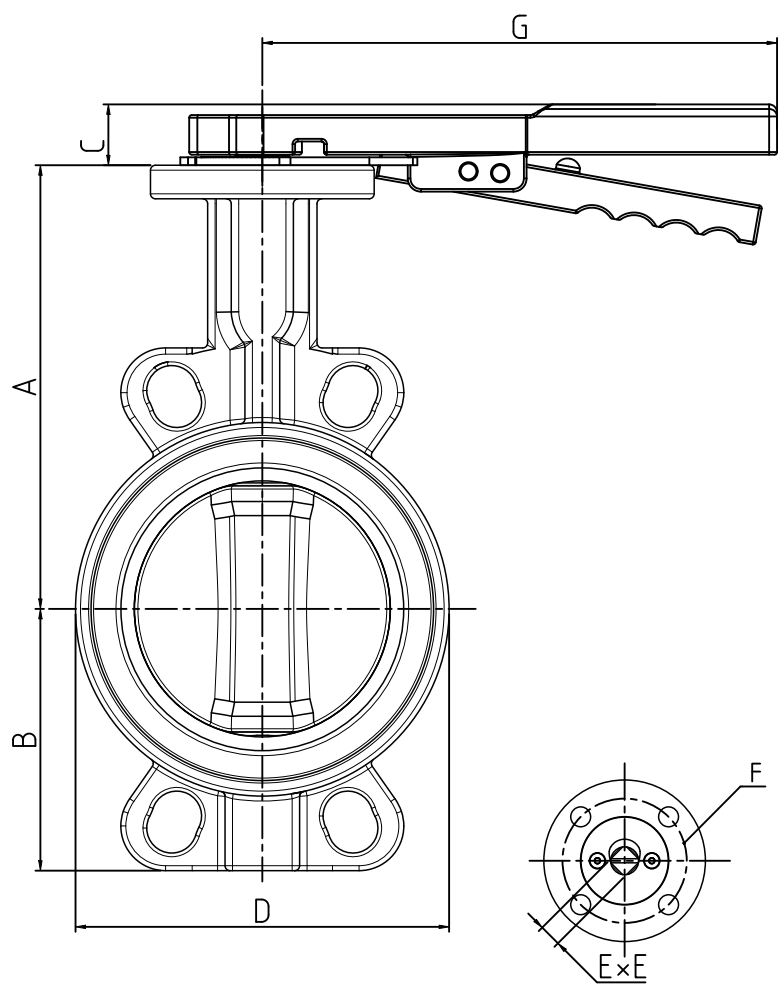


1		2					3				4		
RevNo	Revision note					Date				Signature	Checked		
DN	INCH	A	B	C	D	E	F	H	L	G	No.	Part name	Material
50	2"	135	72	23	120	11x11	F07	32	43	195	1	Body	CF8M
65	2 1/2"	150	83	23	115	11x11	F07	50	46	195	2	Disc	CF8M
80	3"	160	92	23	142	11x11	F07	69	46	195	3	Seat	EPDM
100	4"	180	102	32	162	11x11	F07	88	52	267	4	Stem	SS316
125	5"	195	120	32	185	14x14	F07	115	56	267	5	Retainer	SS316
150	6"	210	133	19	214	14x14	F07	141	56	267	6	Screw	SS316
											7	Weather seal	EPDM

Property Specifications		
PN	16	
Shell Test Pressure	Hydro	24bar
Seat Test Pressure		17.6bar
Seat Test Pressure	Gas	6bar
Medium	W.O.G	



- 1. Designed according to: API609
- 2. Flange accommodation: EN1092 PN 10/16, ASME B16.5 Class 150
- 3. Inspection according to: API598

Itemref	Quantity	Title/Name, designation, material, dimension etc			Article No./Reference	
Designed by David	Checked by James	Approved by - date 2026-04-28	File name Butterfly Valve	Date 2026-04-28	Scale	
ABC VALVE			DN50-125			
CONFIDENTIAL & PROPRIETARY. This drawing and the information it contains are the property of ABC VALVE and may not be used or disclosed except as permitted in writing by an authorized representative of ABC VALVE			Series A31	Edition REV.01	Sheet 1/1	